
ETSI NFV m-SDO IM/DM Workshop
(Louisville, USA, 13-14 January 2016)

ITU-T PROPOSAL FOR WAY FORWARD

Malcolm Betts

SG15 WP3 Vice Chair

Malcolm.BETTS@zte.com.cn

Kam Lam

SG15 WP3 Q14 Rapporteur

Kam.Lam@Alcatel-Lucent.com

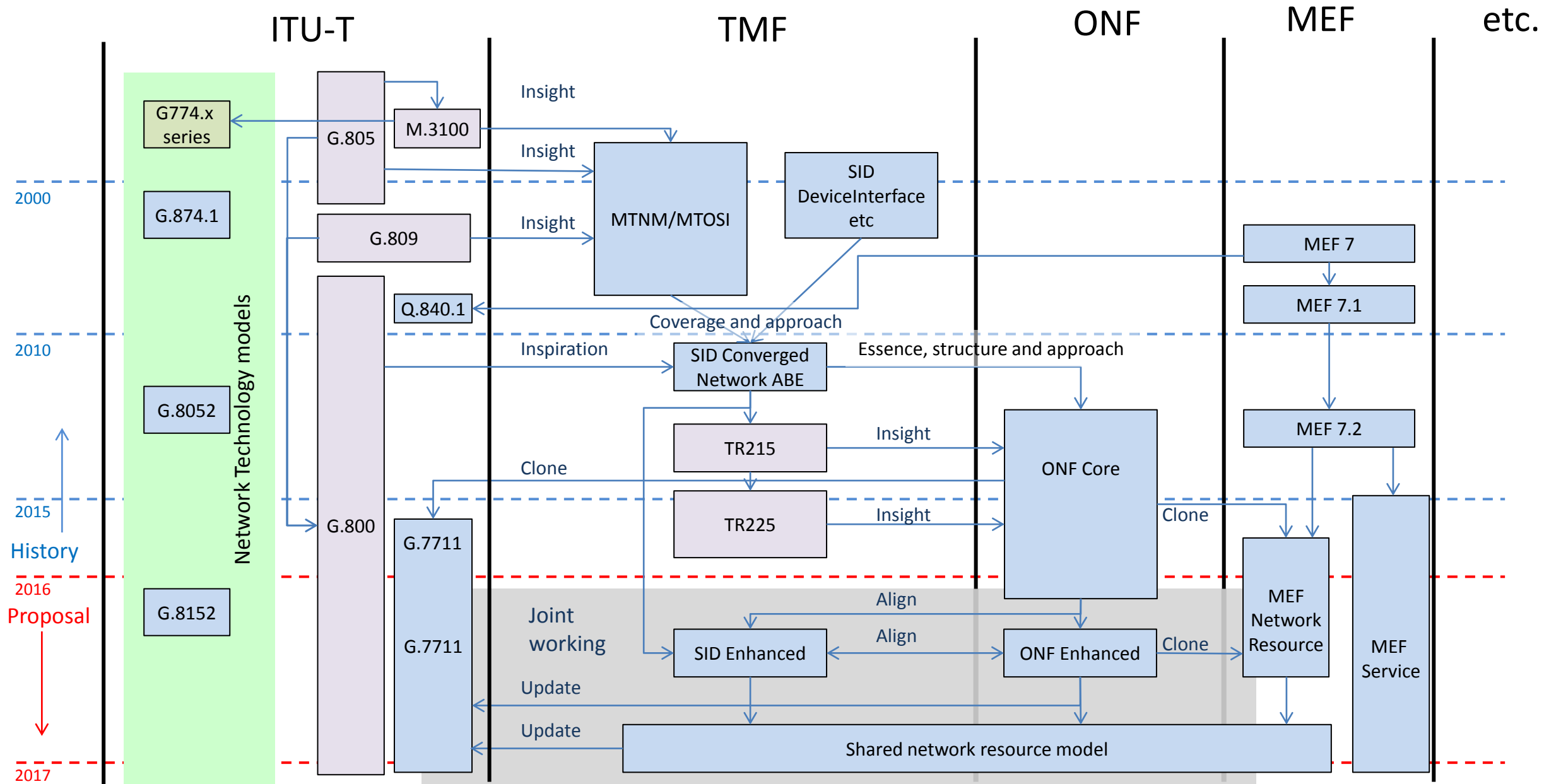
Scott Mansfield

SG15 Q14 Associate Rapporteur

Scott.Mansfield@Ericsson.com

Model Evolution History & Proposal

- Formal UML model
- Concepts
- Network Technology Definition



Proposal for Moving Forward

- To agree on
 - A common approach to the development of information models
 - Key elements of a common core model
 - All of the participants can use the common core model as the basis for developing the technology-/application-specific extensions that are required to address the requirements of their respective areas.
- ❖ The common core model and approach will simplify the task of providing integrated management/control across the wide range of technologies, including those that are deployed in today's networks.

THANK YOU

