

European Telecommunications Standards Institute
MTS#33
24 to 25 October 2001
Sophia-Antipolis

Source: **STF188**
Title: **STF188 Status Presentation**
Date: **10 October 2001**
Document for: **Information**
Agenda item: **5.5**



STF188

Bringing Descriptive SDL up to SDL2000

Steve Randall, STF188 Leader

24-26 October 2001

TC-MTS #33 Sophia Antipolis

1



Background

- ❑ **EG 202 106 (Descriptive SDL Guidelines) published in 1999 based on SDL-96 and MSC-96**
- ❑ **Descriptive SDL used by PTCC as an introduction to SDL in standards**
- ❑ **SDL2000 specifies significant language changes including a convergence with UML**
- ❑ **MSC2000 also specifies extensive modifications to the language**
- ❑ **MTS published guidelines on using UML (EG 201 872) in 2001**
- ❑ **Need to reflect developments in a revision of Descriptive SDL Guidelines**

24-26 October 2001

TC-MTS #33 Sophia Antipolis

2



STF Details

- ❑ **STF188 began work in May 2001 and will continue until mid-2002**
- ❑ **STF members are:**
 - **Michael Andersson, Telelogic, SE**
 - **Juha Parssinen, VTT, FI**
 - **Steve Randall, PQM Consultants, GB**
 - **Rick Reed, TSL, GB**
 - **Milan Zoric, PTCC**



STF Goals

- ❑ **To extend the guidelines to cover UML and more aspects of MSC and ASN.1 while maintaining SDL as the core**
 - **To revise EG 202 106 to reflect changes in SDL2000**
 - **To revise EG 202 106 to reflect changes in MSC2000**
 - **To incorporate in EG 202 106 the “flavour” of the UML guidelines from EG 201 872**
- ❑ **To provide a new chapter giving guidance on the general use of MSC, ASN.1 and UML with SDL in protocol standards**
- ❑ **To revise the checklist, originally from EG 201 383, on the general use of SDL concepts in standards**



Progress (1)

- Completed & reviewed within STF188**
 - **Scope and Introduction**
 - **Use of languages in standards**
 - **Naming conventions**
 - **MSC**
 - **SDL Checklist**
- Completed but not reviewed**
 - **Presentation and layout**
 - **Use of data**



Progress (2)

- In progress but not complete**
 - **Use of procedures, methods & operators**
 - **Use of decisions, loops & branches**
- Not started**
 - **Structuring behaviour descriptions**
 - **System structure, communication and addressing**
 - **Checklist for MSC concepts**



Issues

❑ Schedule

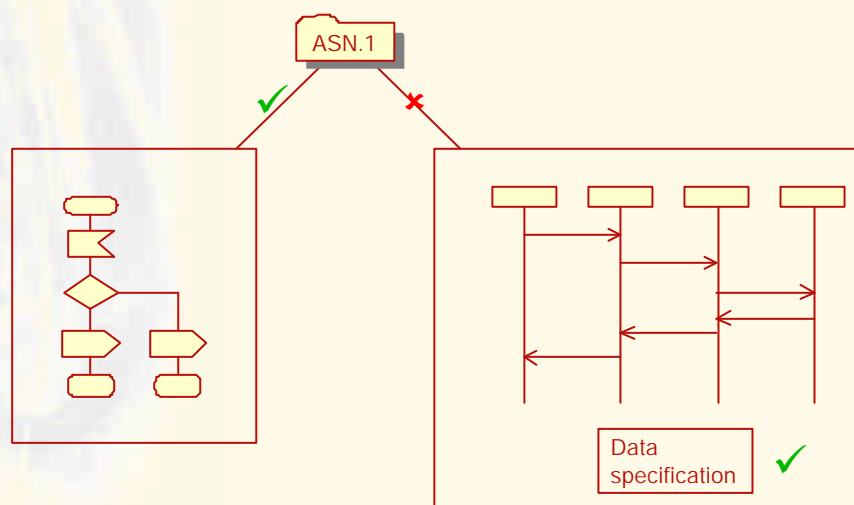
- Progress has not been as rapid as planned due to greater impact than expected of language changes on the guidelines
- Unlikely to affect overall schedule

❑ Technical

- Inability to specify guidelines for the use of MSC formally due to incompatibility with SDL on the use of data
- Inconsistencies between SDL “UML-like features” and UML itself (e.g., Interfaces)



MSC Data Issue





Future

- ❑ **Completion of draft EG (June 2002)**
- ❑ **Completion of draft MSC checklist (March 2002)**
- ❑ **MTS approval of EG and checklist (October 2002)**