



TTCN-3 Control Interfaces

Ina Schieferdecker
FOKUS, Berlin

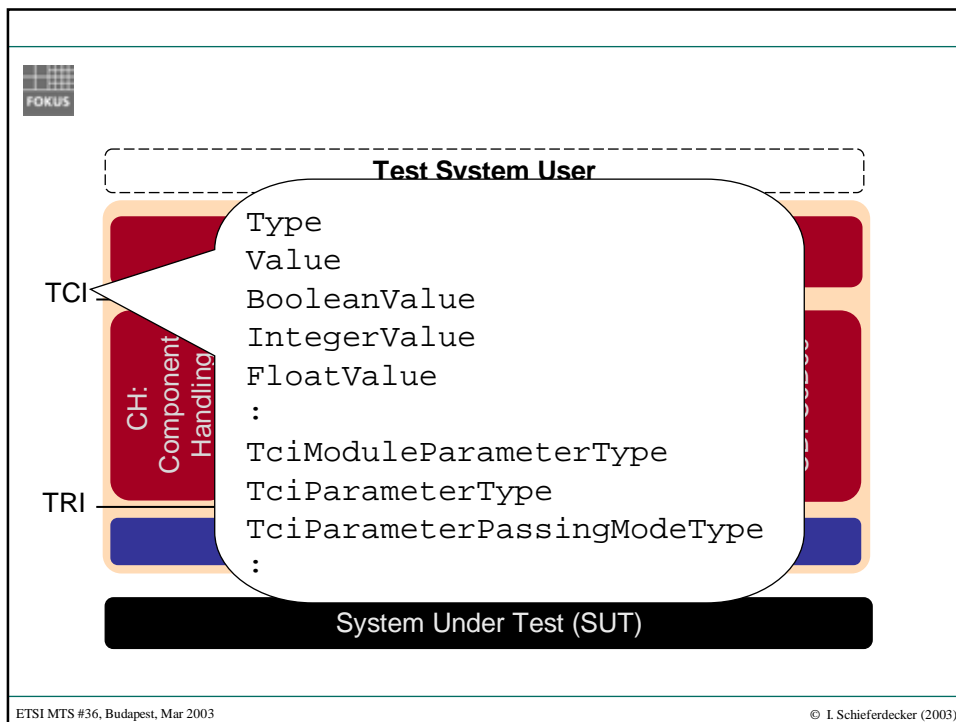
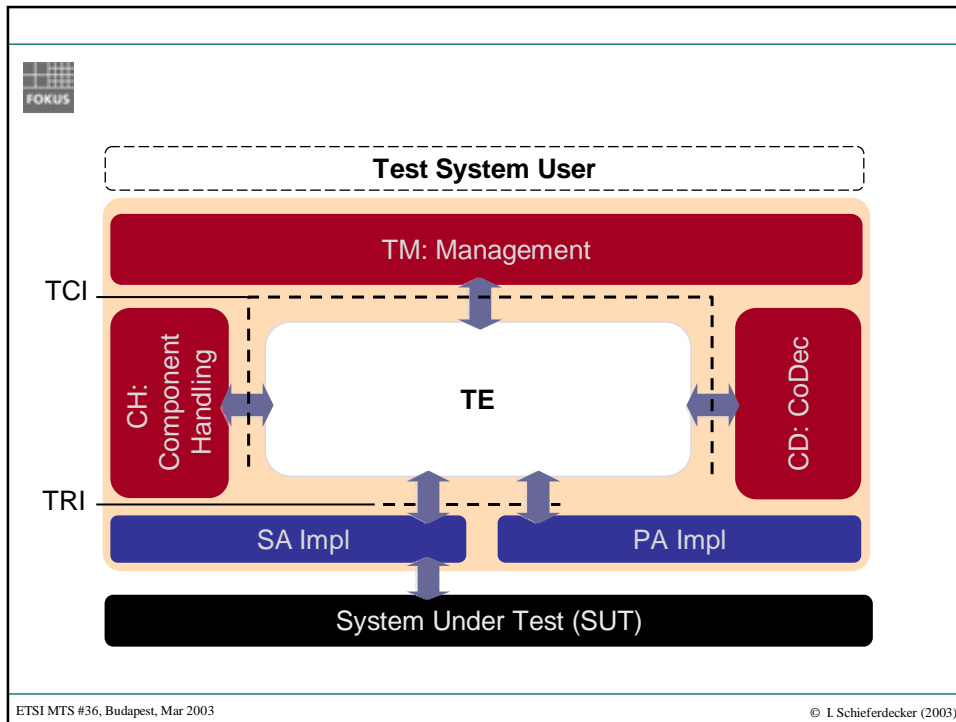
ETSI MTS#36 Meeting, Budapest, March 2003

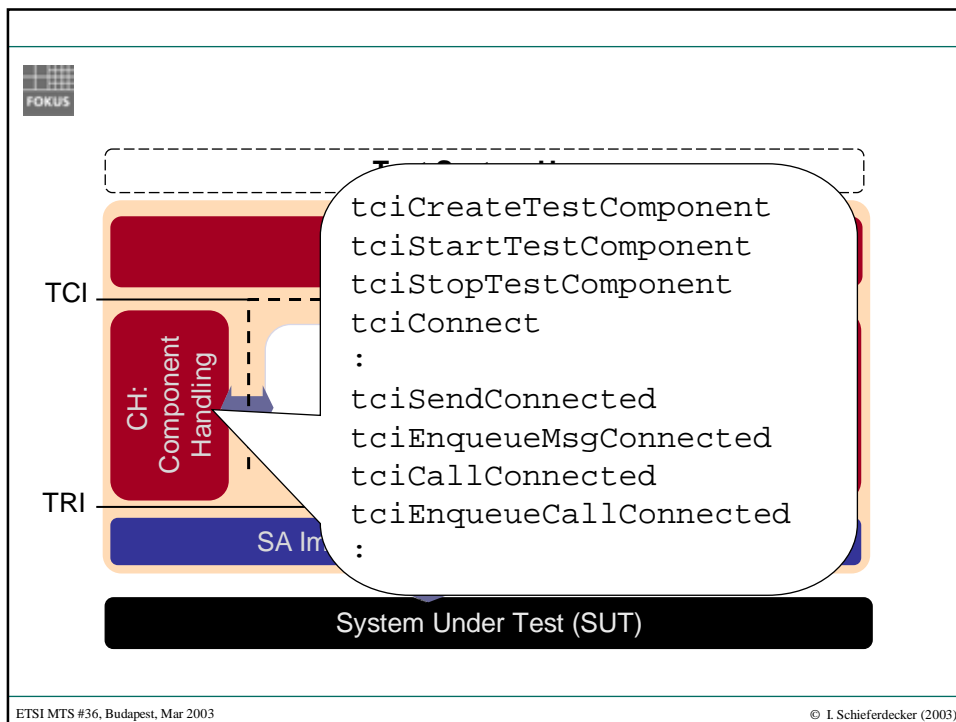
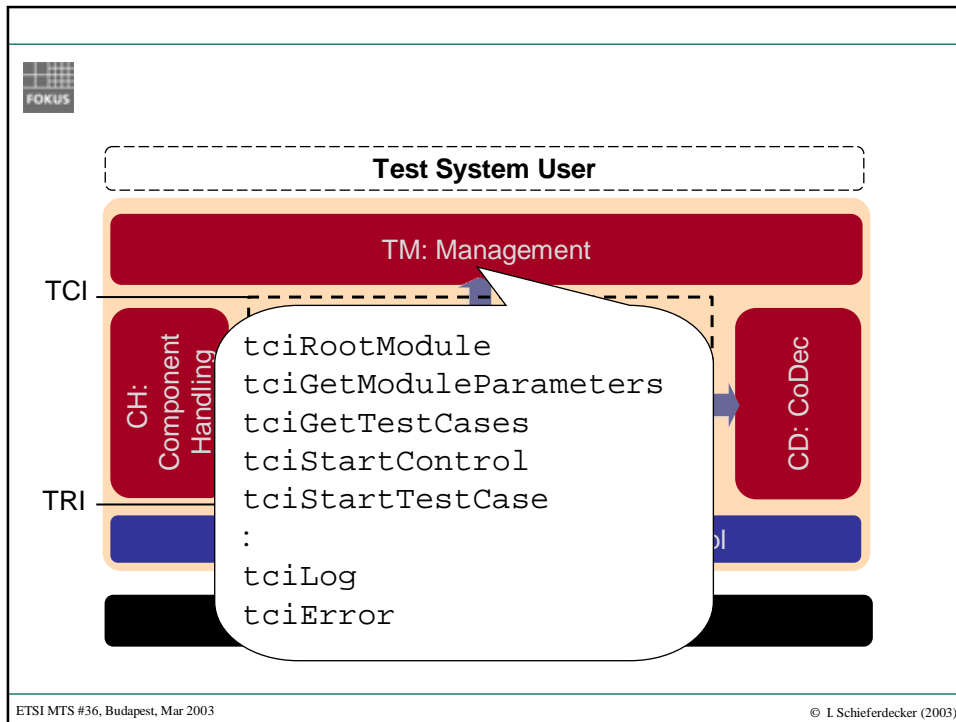


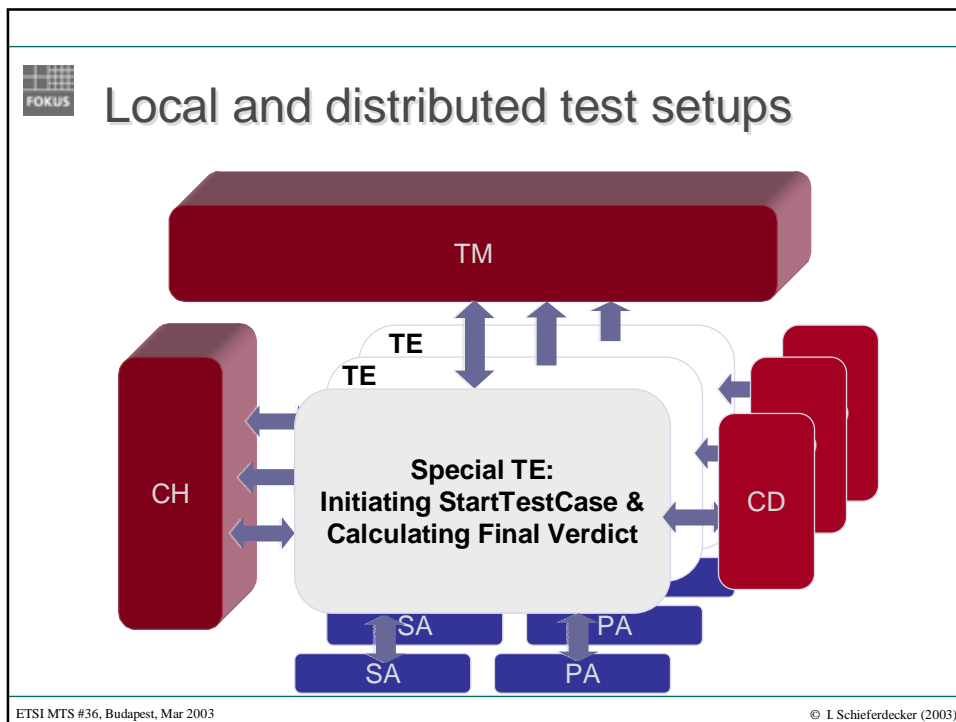
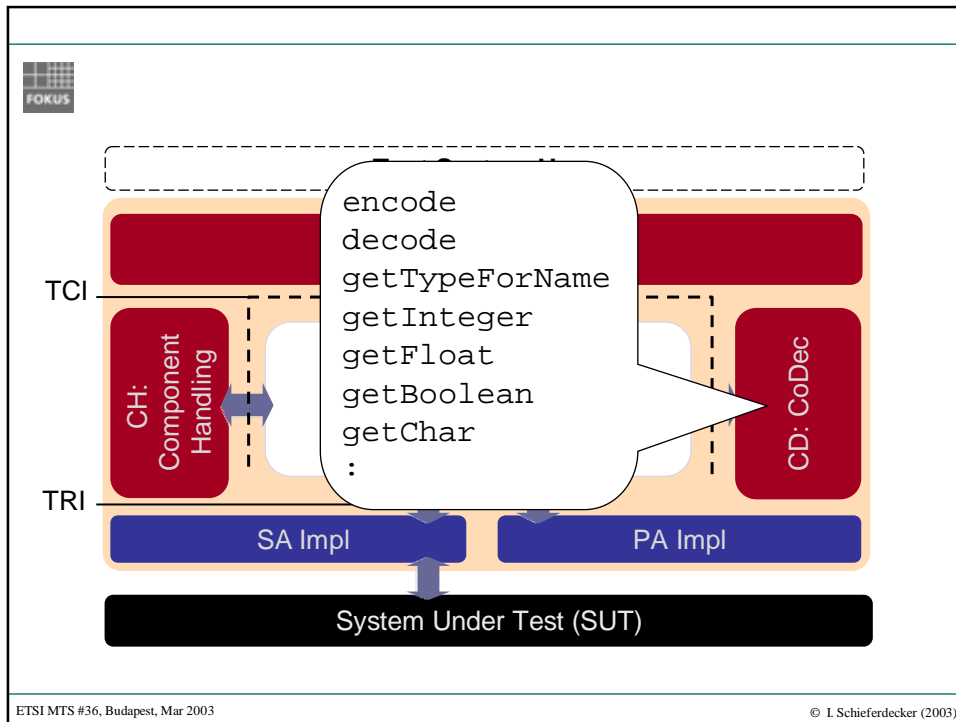
Motivation

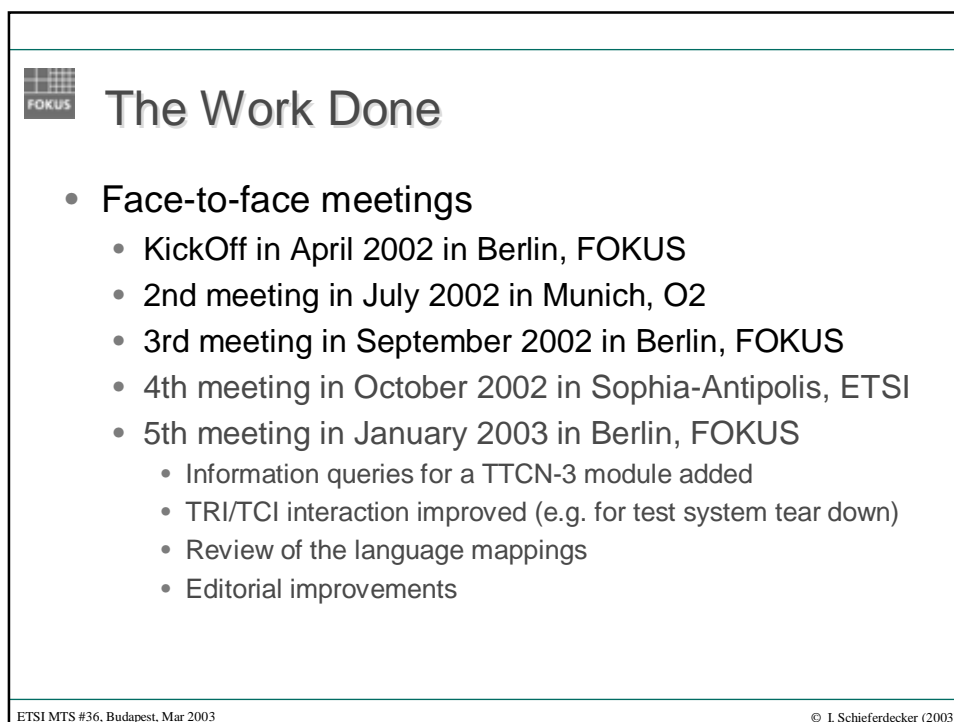
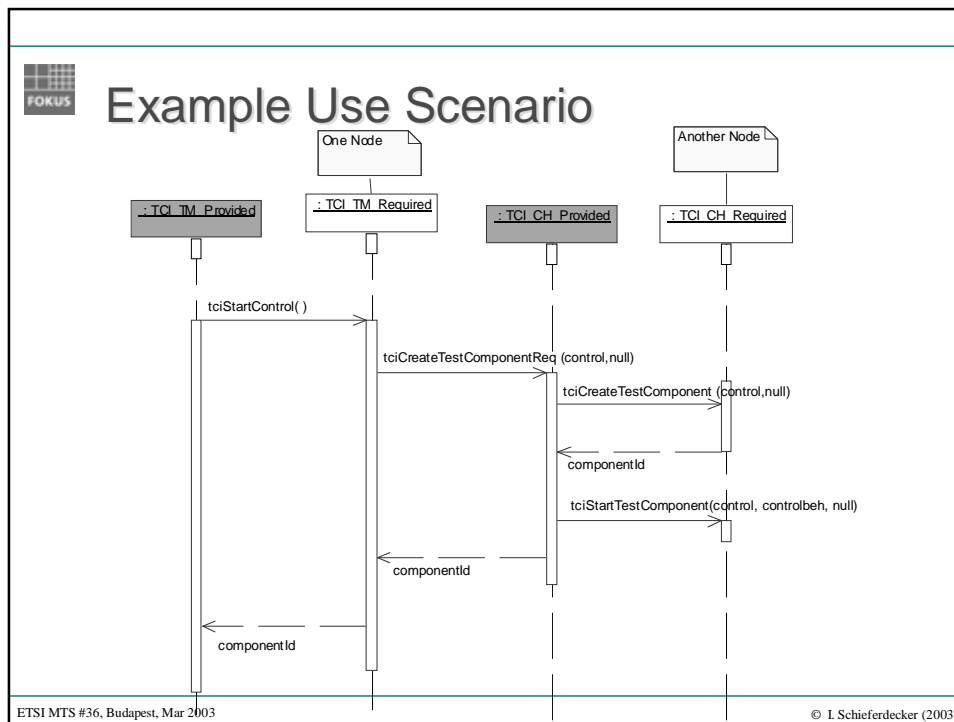
- Standardized adaptation for management, component handling and communication, external data representation with encoding/decoding and logging for local and distributed test setups
- Well-defined interfaces as a set of operations independent of the target, i.e. SUT, processing platform, implementation language, etc.
- Code from any compiler supporting/using this interface can be executed on any test platform/test device, which supports/uses this interface

➤ TCI completes the execution interfaces for TTCN-3











The Document

- Introduction
- General Structure
- Abstract Types, Interfaces and Operations
- Language mappings
 - Java
 - C
- Use Scenarios



Contributors

- FOKUS
- O₂
- Motorola
- NetHawk
- Nokia
- STS
- Conformance Technologies
- Technical University Berlin
- Telelogic
- Testing Technologies