

Network Working Group
Ed.
Request for Comments: 2669
Network
Category: Proposed Standard
1999

M. St. Johns,
@Home
August

DOCSIS Cable Device MIB
Cable Device Management Information Base
for DOCSIS compliant Cable Modems and
Cable Modem Termination Systems

Status of this Memo

This document specifies an Internet standards track protocol for the Internet community, and requests discussion and suggestions for improvements. Please refer to the current edition of the "Internet Official Protocol Standards" (STD 1) for the standardization state and status of this protocol. Distribution of this memo is unlimited.

Copyright Notice

Copyright (C) The Internet Society (1999). All Rights Reserved.

Abstract

This memo defines a portion of the Management Information Base (MIB) for use with network management protocols in the Internet community. In particular, it defines a basic set of managed objects for SNMP-based management of DOCSIS 1.0 compliant Cable Modems and Cable Modem Termination Systems.

This memo specifies a MIB module in a manner that is compliant to the SNMP SMIV2 [5][6][7]. The set of objects is consistent with the SNMP framework and existing SNMP standards.

This memo is a product of the IPCDN working group within the Internet Engineering Task Force. Comments are solicited and should be addressed to the working group's mailing list at ipcdn@terayon.com and/or the author.

Table of Contents

1 The SNMP Management Framework	
.....	2

2 Glossary		3
2.1 CATV		3
2.2 CM		3
2.3 CMTS		4
2.4 DOCSIS		4
St. Johns	Standards	[Page
1]		
RFC 2669	DOCSIS Cable Device MIB	August
1999		
2.5 Downstream		4
2.6 Head-end		4
2.7 MAC Packet		4
2.8 MCNS		4
2.9 RF		4
2.10 Upstream		4
3 Overview		4
3.1 Structure of the MIB		5
3.2 Management requirements		6
3.2.1 Handling of Software upgrades		6
3.2.2 Events and Traps		6
3.2.3 Trap Throttling		8
3.2.3.1 Trap rate throttling		8
3.2.3.2 Limiting the trap rate		8
3.3 Protocol Filters		9
3.3.1 Inbound LLC Filters - docsDevFilterLLCTable		10
3.3.2 Special Filters		10
3.3.2.1 IP Spoofing Filters - docsDevCpeTable		10
3.3.2.2 SNMP Access Filters - docsDevNmAccessTable		10
3.3.3 IP Filtering - docsDevIpFilterTable		11

[13].

- o A set of fundamental applications described in RFC 2573 [14] and the view-based access control mechanism described in RFC 2575 [15].

Managed objects are accessed via a virtual information store, termed the Management Information Base or MIB. Objects in the MIB are defined using the mechanisms defined in the SMI.

This memo specifies a MIB module that is compliant to the SMIV2. A MIB conforming to the SMIV1 can be produced through the appropriate

translations. The resulting translated MIB must be semantically equivalent, except where objects or events are omitted because no translation is possible (use of Counter64). Some machine readable information in SMIV2 will be converted into textual descriptions in

SMIV1 during the translation process. However, this loss of machine readable information is not considered to change the semantics of the MIB.

2. Glossary

The terms in this document are derived either from normal cable system usage, or from the documents associated with the Data Over Cable Service Interface Specification process.

2.1. CATV

Originally "Community Antenna Television", now used to refer to any cable or hybrid fiber and cable system used to deliver video signals to a community.

2.2. CM Cable Modem.

A CM acts as a "slave" station in a DOCSIS compliant cable data system.

2.3. CMTS Cable Modem Termination System.

A generic term covering a cable bridge or cable router in a head-end.

A CMTS acts as the master station in a DOCSIS compliant cable data system. It is the only station that transmits downstream, and it controls the scheduling of upstream transmissions by its associated CMTS.

2.4. DOCSIS

"Data Over Cable Interface Specification". A term referring to the ITU-T J.112 Annex B standard for cable modem systems [20].

2.5. Downstream

The direction from the head-end towards the subscriber.

2.6. Head-end

The origination point in most cable systems of the subscriber video signals. Generally also the location of the CMTS equipment.

2.7. MAC Packet

A DOCSIS PDU.

2.8. MCNS

"Multimedia Cable Network System". Generally replaced in usage by DOCSIS.

2.9. RF

Radio Frequency.

2.10. Upstream

The direction from the subscriber towards the head-end.

3. Overview

This MIB provides a set of objects required for the management of DOCSIS compliant Cable Modems (CM) and Cable Modem Termination Systems (CMTS). The specification is derived from the DOCSIS Radio

Frequency Interface specification [16]. Please note that the DOCSIS

1.0 standard only requires Cable Modems to implement SNMPv1 and to

process IPv4 customer traffic. Design choices in this MIB reflect those requirements. Future versions of the DOCSIS standard are expected to require support for SNMPv3 and IPv6 as well.

The key words "MUST", "MUST NOT", "REQUIRED", "SHALL", "SHALL NOT", "SHOULD", "SHOULD NOT", "RECOMMENDED", "MAY", and "OPTIONAL" in this document are to be interpreted as described in [19].

3.1. Structure of the MIB

This MIB is structured into seven groups:

- with
 - o The docsDevBase group extends the MIB-II 'system' group objects needed for cable device system management.
 - o The docsDevNmAccessGroup provides a minimum level of SNMP access security (see Section 3 of [18]).
 - network-
 - o The docsDevSoftware group provides information for downloadable software upgrades. See "Handling of Software Upgrades" below..
 - o The docsDevServer group provides information about the progress of the interaction between the CM or CMTS and various provisioning servers.
 - event
 - o The docsDevEvent group provides control and logging for reporting.
 - and
 - o The docsDevFilter group configures filters at link layer IP layer for bridged data traffic. This group consists of a link-layer filter table, docsDevFilterLLCTable, which is used to manage the processing and forwarding of non-IP traffic; an IP packet classifier table, docsDevFilterIpTable, which is used to map classes of packets to specific policy actions; a policy table, docsDevFilterPolicyTable, which maps zero or more policy actions onto a specific packet classification, and one or more policy action tables.
- manipulation
 - o At this time, this MIB specifies only one policy action table, docsDevFilterTosTable, which allows the manipulation of the type of services bits in an IP packet based on matching some criteria. The working group may add additional policy types and action tables in the future, for example to allow QOS to modem service identifier assignment based on destination.

o The docsDevCpe group provides control over which IP addresses may be used by customer premises equipment (e.g. PCs) serviced by a given cable modem. This provides anti-spoofing control at the point of origin for a large cable modem system. This group is separate from docsDevFilter primarily as this group is only implemented on the Cable Modem (CM) and MUST NOT be implemented on the Cable Modem Termination System (CMTS).

3.2. Management requirements

3.2.1. Handling of Software upgrades

The Cable Modem software upgrade process is documented in [16]. From a network management station, the operator:

- o sets docsDevSwServer to the address of the TFTP server for software upgrades
- o sets docsDevSwFilename to the file pathname of the software upgrade image
- o sets docsDevSwAdminStatus to upgrade-from-mgt

One reason for the SNMP-initiated upgrade is to allow loading of a temporary software image (e.g., special diagnostic software) that differs from the software normally used on that device without changing the provisioning database.

Note that software upgrades should not be accepted blindly by the cable device. The cable device may refuse an upgrade if:

- o The download is incomplete.
- o The file contents are incomplete or damaged.
- o The software is not intended for that hardware device (may include the case of a feature set that has not been purchased for this device).

3.2.2. Events and Traps

This MIB provides control facilities for reporting events through syslog, traps, and non-volatile logging. If events are reported through traps, the specified conventions must be followed. Other means of event reporting are outside the scope of this document.

St. Johns
6]

Standards

[Page

RFC 2669
1999

DOCSIS Cable Device MIB

August

The definition and coding of events is vendor-specific. In deference to the network operator who must troubleshoot multi-vendor networks, the circumstances and meaning of each event should be reported as human-readable text. Vendors SHOULD provide time-of-day clocks in CMs to provide useful timestamping of events.

For each vendor-specific event that is reportable via TRAP, the vendor must create an enterprise-specific trap definition. Trap definitions MUST include the event reason encoded as DisplayString and should be defined as:

```
trapName NOTIFICATION-TYPE
    OBJECTS {
        ifIndex,
        eventReason,
        other useful objects
    }
    STATUS current
    DESCRIPTION
        "trap description"
    ::= Object Id
```

Note that ifIndex is only included if the event or trap is interface related.

An example (fake) vendor defined trap might be:

```
xyzVendorModemDropout NOTIFICATION-TYPE
    OBJECTS {
        eventReason,
        xyzModemHighWatermarkCount
    }
    STATUS current
    DESCRIPTION
        "Sent by a CMTS when a configurable number of modems
        (xyzModemHysteresis) de-register or become unreachable
        during the sampling period (5 minutes). Used to warn a
        management station about a catastrophic cable plant outage."
    ::= { xyzTraps 23 }
```


In this example eventReason is a DisplayString providing a human readable error message, and xyzModemHighWatermarkCount is a Gauge32 which indicates the maximum number of modems during the epoch.

St. Johns 7]	Standards	[Page
RFC 2669 1999	DOCSIS Cable Device MIB	August

The last digit of the trap OID for enterprise-specific traps must match docsDevEvId. For SNMPv1-capable Network Management systems, this is necessary to correlate the event type to the trap type. Many Network Management systems are only capable of trap filtering on an enterprise and single-last-digit basis.

3.2.3. Trap Throttling

The CM and CMTS MUST provide support for trap message throttling as described below. The network operator can employ message rate throttling or trap limiting by manipulating the appropriate MIB variables.

3.2.3.1. Trap rate throttling

Network operators may employ either of two rate control methods. In the first method, the device ceases to send traps when the rate exceeds the specified maximum message rate. It resumes sending traps only if reactivated by a network management station request.

In the second method, the device resumes sending traps when the rate falls below the specified maximum message rate.

The network operator configures the specified maximum message rate by setting the measurement interval (in seconds), and the maximum number of traps to be transmitted within the measurement interval. The operator can query the operational throttling state (to determine whether traps are enabled or blocked by throttling) of the device, as well as query and set the administrative throttling state (to manage the rate control method) of the device.

3.2.3.2. Limiting the trap rate

Network operators may wish to limit the number of traps sent by a device over a specified time period. The device ceases to send traps

when the number of traps exceeds the specified threshold. It resumes sending traps only when the measurement interval has passed.

The network operator defines the maximum number of traps he is willing to handle and sets the measurement interval to a large number (in hundredths of a second). For this case, the administrative throttling state is set to stop at threshold which is the maximum number of traps.

See "Techniques for Managing Asynchronously Generated Alerts" [17] for further information.

St. Johns Standards [Page 8]

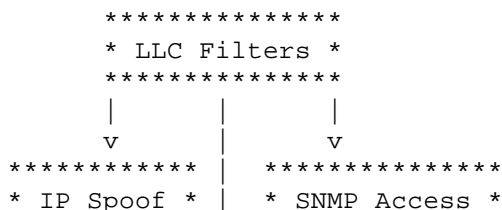
RFC 2669 DOCSIS Cable Device MIB August 1999

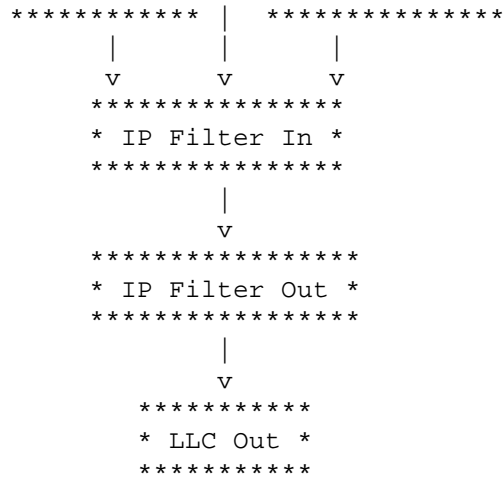
3.3. Protocol Filters

The Cable Device MIB provides objects for both LLC and IP protocol filters. The LLC protocol filter entries can be used to limit CM forwarding to a restricted set of network-layer protocols (such as IP, IPX, NetBIOS, and Appletalk).

The IP protocol filter entries can be used to restrict upstream or downstream traffic based on source and destination IP addresses, transport-layer protocols (such as TCP, UDP, and ICMP), and source and destination TCP/UDP port numbers.

In general, a cable modem applies filters (or more properly, classifiers) in an order appropriate to the layering model. Specifically, the inbound MAC (or LLC) layer filters are applied first, then the "special" filters, then the IP layer inbound filters, then the IP layer outbound filters, then any final LLC outbound filters. Since the cable modem does not generally do any IP processing (other than that specified by the filters) the processing of the IP in filters and IP out filters can usually be combined into a single step.





3.3.1. Inbound LLC Filters - docsDevFilterLLCTable

The inbound LLC (or MAC or level-2) filters are contained in the docsDevFilterLLCTable and are applied to level-2 frames entering the

cable modem from either the RF MAC interface or from one of the CPE

(ethernet or other) interfaces. These filters are used to prohibit

the processing and forwarding of certain types of level-2 traffic that may be disruptive to the network. The filters, as currently specified, can be set to cause the modem to either drop frames which

match at least one filter, or to process a frame which matches at least filter. Some examples of possible configurations would be to

only permit IP (and ARP) traffic, or to drop NETBUEI traffic.

3.3.2. Special Filters

Special filters are applied after the packet is accepted from the MAC

layer by the IP module, but before any other processing is done.

They are filters that apply only to a very specific class of traffic.

3.3.2.1. IP Spoofing Filters - docsDevCpeTable

IP spoofing filters are applied to packets entering the modem from one of the CPE interfaces and are intended to prevent a subscriber from stealing or mis-using IP addresses that were not assigned to the

subscriber. If the filters are active (enabled), the source address of the IP packet must match at least one IP address in this table or it is discarded without further processing.

The table can be automatically populated where the first N different IP addresses seen from the CPE side of the cable modem are used to automatically populate the table. The spoofing filters are specified in the docsDevCpeTable and the policy for automatically creating filters in that table is controlled by docsDevCpeEnroll and docsDevCpeMax as well as the network management agent.

3.3.2.2. SNMP Access Filters - docsDevNmAccessTable

The SNMP access filters are applied to SNMP packets entering from any interface and destined for the cable modem. If the packets enter from a CPE interface, the SNMP filters are applied after the IP spoofing filters. The filters only apply to SNMPv1 or SNMPv2c traffic, and are not consulted for SNMPv3 traffic (and need not be implemented by a v3 only agent). SNMPv3 access control is specified in the User Security Model MIB in [12].

St. Johns	Standards	[Page
10]		
RFC 2669	DOCSIS Cable Device MIB	August
1999		

3.3.3. IP Filtering - docsDevIpFilterTable

The IP Filtering table acts as a classifier table. Each row in the table describes a template against which IP packets are compared. The template includes source and destination addresses (and their associated masks), upper level protocol (e.g. TCP, UDP), source and destination port ranges, TOS and TOS mask. A row also contains interface and traffic direction match values which have to be considered in combination. All columns of a particular row must match the appropriate fields in the packet, and must match the interface and direction items for the packet to result in a match to the packet.

When classifying a packet, the table is scanned beginning with the lowest number filter. If the agent finds a match, it applies the group of policies specified. If the matched filter has the continue bit set, the agent continues the scan possibly matching additional

filters and applying additional policies. This allows the agent to take one set of actions for the 24.0.16/255.255.255.0 group and one set of actions for telnet packets to/from 24.0.16.30 and these sets of actions may not be mutually exclusive.

Once a packet is matched, one of three actions happen based on the setting of docsDevFilterIpControl in the row. The packet may be dropped, in which case no further processing is required. The packet may be accepted and processing of the packet continues. Lastly, the packet may have a set of policy actions applied to it. If docsDevFilterIpContinue is set to true, scanning of the table continues and additional matches may result.

When a packet matches, and docsDevFilterIpControl in the filter matched is set to 'policy', the value of docsDevFilterIpPolicyId is used as a selector into the docsDevFilterPolicyTable. The first level of indirection may result in zero or more actions being taken based on the match. The docsDevFilterPolicyTable is scanned in row order and all rows where docsDevFilterPolicyId equals docsDevFilterIpPolicyId have the action specified by docsDevFilterPolicyValue 'executed'. For example, a value pointing to an entry in the docsDevFilterTosTable may result in the re-writing of the TOS bits in the IP packet which was matched. Another possibility may be to assign an output packet to a specific output upstream queue. An even more complex action might be to re-write the TOS value, assign the packet to an upstream service ID, and drop it into a particular IPSEC tunnel.

Example:

```
docsDevFilterIpTable
```

```
# Index, SrcIP/Mask, DstIP/Mask,ULP, SrcPts,DstPts,Tos/Mask,  
# Int/Dir, Pgroup, [continue]  
# drop any netbios traffic  
10, 0/0, 0/0, TCP, any, 137-139, 0/0, any/any, drop
```

```

# traffic to the proxy gets better service - other matches
possible
20, 0/0, proxy/32, TCP, any,any, 0/0, cpe/in, 10, continue

# Traffic from CPE 1 gets 'Gold' service, other matches possible
30, cpe1/32, 0/0, any, any,any, 0/0, cpe/in, 20, continue

# Traffic from CPE2 to work goes, other traffic dropped
40, cpe2/32, workIPs/24, any, 0/0, cpe/in, accept
45, cpe2/32, 0/0, any, any,ayn, 0/0, cpe/in, drop

# Traffic with TOS=4 gets queued on the "silver" queue.
50, 0/0, 0/0, any, any,any, 4/255, cpe/in, 30

# Inbound "server" traffic to low numbered ports gets dropped.
60, 0/0, 0/0, TCP, any,1-1023, 0/0, cpe/out, drop
65, 0/0, 0/0, UDP, any,1-1023, 0/0, cpe/out, drop

docsDevFilterIpPolicyTable

#
# index, policy group, policy
10, 10, queueEntry.20 -- special queue for traffic to proxy

15, 20, queueEntry.15 -- Gold Service queue
20, 20, docsDevFilterTosStatus.10 -- Mark this packet with TOS 5

25, 30, queueEntry.10 -- Silver service queue

This table describes some special processing for packets
originating
from either the first or second CPE device which results in their
queuing on to special upstream traffic queues and for the "gold"
service results in having the packets marked with a TOS of 5. The
10, 20, 60 and 65 entries are generic entries that would generally
be
applied to all traffic to this CM. The 30, 40 and 45 entries are
specific to a particular CPE's service assignments. The ordering
here is a bit contrived, but is close to what may actually be
required by the operator to control various classes of customers.

```

St. Johns	Standards	[Page
12]		
RFC 2669	DOCSIS Cable Device MIB	August
1999		

3.3.4. Outbound LLC Filters

Lastly, any outbound LLC filters are applied to the packet just prior to it being emitted on the appropriate interface. This MIB does not specify any outbound LLC filters, but it is anticipated that the QOS

additions to the DOCSIS standard may include some outbound LLC filtering requirements. If so, those filters would be applied as described here.

4. Definitions

```
DOCS-CABLE-DEVICE-MIB DEFINITIONS ::= BEGIN
```

```
IMPORTS
```

```
    MODULE-IDENTITY,
    OBJECT-TYPE,
-- do not import      BITS,
    IpAddress,
    Unsigned32,
    Counter32,
    Integer32,
    zeroDotZero,
    mib-2
        FROM SNMPv2-SMI
    RowStatus,
    RowPointer,
    DateAndTime,
    TruthValue
        FROM SNMPv2-TC
    OBJECT-GROUP,
    MODULE-COMPLIANCE
        FROM SNMPv2-CONF
    SnmpAdminString
        FROM SNMP-FRAMEWORK-MIB
    InterfaceIndexOrZero
        FROM IF-MIB; -- RFC2233
```

```
docsDev MODULE-IDENTITY
    LAST-UPDATED      "9908190000Z" -- August 19, 1999
    ORGANIZATION      "IETF IPCDN Working Group"
    CONTACT-INFO
        "              Michael StJohns
        Postal: @Home Network
                425 Broadway
                Redwood City, CA 94063
                U.S.A.
        Phone:   +1 650 569 5368
        E-mail:  stjohns@corp.home.net"
```

St. Johns
13]

Standards

[Page

RFC 2669
1999

DOCSIS Cable Device MIB

August

```
DESCRIPTION
```

```
    "This is the MIB Module for MCNS-compliant cable modems  
and  
    cable-modem termination systems."
```

```
REVISION "9908190000Z"
```

```
DESCRIPTION
```

```
    "Initial Version, published as RFC 2669.  
    Modified by Mike StJohns to add/revise filtering, TOS
```

```

        support, software version information objects."
 ::= { mib-2 69 }

docsDevMIBObjects OBJECT IDENTIFIER ::= { docsDev 1 }
docsDevBase OBJECT IDENTIFIER ::= { docsDevMIBObjects 1 }

--
-- For the following object, there is no concept in the
-- RFI specification corresponding to a backup CMTS. The
-- enumeration is provided here in case someone is able
-- to define such a role or device.
--

docsDevRole OBJECT-TYPE
    SYNTAX INTEGER {
        cm(1),
        cmtsActive(2),
        cmtsBackup(3)
    }
    MAX-ACCESS read-only
    STATUS current
    DESCRIPTION
        "Defines the current role of this device.  cm (1) is
        a Cable Modem, cmtsActive(2) is a Cable Modem
        Termination
        System which is controlling the system of cable modems,
        connected,
        and cmtsBackup(3) is a CMTS which is currently
        but not controlling the system (not currently used).

        In general, if this device is a 'cm', its role will not
        change during operation or between reboots.  If the
        device is a 'cmts' it may change between cmtsActive and
        cmtsBackup and back again during normal operation.  NB:
        At this time, the DOCSIS standards do not support the
        concept of a backup CMTS, cmtsBackup is included for
        completeness."
 ::= { docsDevBase 1 }

docsDevDateTime OBJECT-TYPE
    SYNTAX DateAndTime
    MAX-ACCESS read-write
    STATUS current

St. Johns Standards [Page
14]

RFC 2669 DOCSIS Cable Device MIB August
1999

DESCRIPTION
    "The date and time, with optional timezone
    information."
 ::= { docsDevBase 2 }

docsDevResetNow OBJECT-TYPE
    SYNTAX TruthValue
    MAX-ACCESS read-write

```



```

        STATUS      current
        DESCRIPTION
            "Setting this object to true(1) causes the device to
reset.
            Reading this object always returns false(2)."
```

```

 ::= { docsDevBase 3 }

docsDevSerialNumber OBJECT-TYPE
    SYNTAX      SnmpAdminString
    MAX-ACCESS  read-only
    STATUS      current
    DESCRIPTION
        "The manufacturer's serial number for this device."
 ::= { docsDevBase 4 }

docsDevSTPControl OBJECT-TYPE
    SYNTAX INTEGER {
        stEnabled(1),
        noStFilterBpdu(2),
        noStPassBpdu(3)
    }
    MAX-ACCESS  read-write
    STATUS      current
    DESCRIPTION
        "This object controls operation of the spanning tree
        protocol (as distinguished from transparent bridging).
        If set to stEnabled(1) then the spanning tree protocol
        is enabled, subject to bridging constraints. If
        noStFilterBpdu(2), then spanning tree is not active,
        and Bridge PDUs received are discarded.
        If noStPassBpdu(3) then spanning tree is not active
        and Bridge PDUs are transparently forwarded. Note that
        a device need not implement all of these options,
        but that noStFilterBpdu(2) is required."
 ::= { docsDevBase 5 }

--
-- The following table provides one level of security for access
-- to the device by network management stations.
-- Note that access is also constrained by the
-- community strings and any vendor-specific security.

St. Johns                               Standards                               [Page
15]

RFC 2669                               DOCSIS Cable Device MIB                               August
1999

--

docsDevNmAccessTable OBJECT-TYPE
    SYNTAX      SEQUENCE OF DocsDevNmAccessEntry
    MAX-ACCESS  not-accessible
    STATUS      current
    DESCRIPTION
        "This table controls access to SNMP objects by network
        management stations. If the table is empty, access
        to SNMP objects is unrestricted. This table exists only
```

on SNMPv1 or v2c agents and does not exist on SNMPv3 agents. See the conformance section for details. Specifically, for v3 agents, the appropriate MIBs and security models apply in lieu of this table."
 ::= { docsDevMIBObjects 2 }

docsDevNmAccessEntry OBJECT-TYPE
SYNTAX DocsDevNmAccessEntry
MAX-ACCESS not-accessible
STATUS current
DESCRIPTION
"An entry describing access to SNMP objects by a particular network management station. An entry in this table is not readable unless the management station has read-write permission (either implicit if the table is empty, or explicit through an entry in this table. Entries are ordered by docsDevNmAccessIndex. The first matching entry (e.g. matching IP address and community string) is used to derive access."
INDEX { docsDevNmAccessIndex }
 ::= { docsDevNmAccessTable 1 }

DocsDevNmAccessEntry ::= SEQUENCE {
docsDevNmAccessIndex Integer32,
docsDevNmAccessIp IPAddress,
docsDevNmAccessIpMask IPAddress,
docsDevNmAccessCommunity OCTET STRING,
docsDevNmAccessControl INTEGER,
docsDevNmAccessInterfaces OCTET STRING,
docsDevNmAccessStatus RowStatus
}

docsDevNmAccessIndex OBJECT-TYPE
SYNTAX Integer32 (1..2147483647)
MAX-ACCESS not-accessible
STATUS current
DESCRIPTION
"Index used to order the application of access

St. Johns Standards [Page
16]

RFC 2669 DOCSIS Cable Device MIB August
1999

entries."
 ::= { docsDevNmAccessEntry 1 }

docsDevNmAccessIp OBJECT-TYPE
SYNTAX IPAddress
MAX-ACCESS read-create
STATUS current
DESCRIPTION
"The IP address (or subnet) of the network management station. The address 255.255.255.255 is defined to mean any NMS. If traps are enabled for this entry, then the value must be the address of a specific device."
DEFVAL { 'ffffffff'h }

```

 ::= { docsDevNmAccessEntry 2 }

docsDevNmAccessIpMask OBJECT-TYPE
    SYNTAX      IpAddress
    MAX-ACCESS  read-create
    STATUS      current
    DESCRIPTION
        "The IP subnet mask of the network management stations.
        If traps are enabled for this entry, then the value must
        be 255.255.255.255."
    DEFVAL { 'ffffffff'h }
    ::= { docsDevNmAccessEntry 3 }

docsDevNmAccessCommunity OBJECT-TYPE
    SYNTAX      OCTET STRING
    MAX-ACCESS  read-create
    STATUS      current
    DESCRIPTION
        "The community string to be matched for access by this
        entry. If set to a zero length string then any community
        string will match. When read, this object SHOULD return
        a zero length string."
    DEFVAL { "public" }
    ::= { docsDevNmAccessEntry 4 }

docsDevNmAccessControl OBJECT-TYPE
    SYNTAX      INTEGER {
        none(1),
        read(2),
        readWrite(3),
        roWithTraps(4),
        rwWithTraps(5),
        trapsOnly(6)
    }
    MAX-ACCESS  read-create

```

St. Johns	Standards	[Page
17]		
RFC 2669	DOCSIS Cable Device MIB	August
1999		

```

    STATUS      current
    DESCRIPTION
        "Specifies the type of access allowed to this NMS.
Setting
        this object to none(1) causes the table entry to be
        destroyed. Read(2) allows access by 'get' and 'get-next'
        PDUs. ReadWrite(3) allows access by 'set' as well.
        RoWithtraps(4), rwWithTraps(5), and trapsOnly(6)
        control distribution of Trap PDUs transmitted by this
        device."
    DEFVAL { read }
    ::= { docsDevNmAccessEntry 5 }

```

```

-- The syntax of the following object was copied from RFC1493,
-- dot1dStaticAllowedToGoTo.

```

```
docsDevNmAccessInterfaces OBJECT-TYPE
    SYNTAX      OCTET STRING
    MAX-ACCESS  read-create
    STATUS      current
    DESCRIPTION
        "Specifies the set of interfaces from which requests from
        this NMS will be accepted.
        Each octet within the value of this object specifies a
set
        of eight interfaces, with the first octet specifying
ports
        1 through 8, the second octet specifying interfaces 9
        through 16, etc. Within each octet, the most
significant
        bit represents the lowest numbered interface, and the
least
        significant bit represents the highest numbered
interface.
        Thus, each interface is represented by a single bit
within
        the value of this object. If that bit has a value of '1'
        then that interface is included in the set.

        Note that entries in this table apply only to link-layer
        interfaces (e.g., Ethernet and CATV MAC). Upstream and
        downstream channel interfaces must not be specified."
--      DEFVAL is the bitmask corresponding to all interfaces
 ::= { docsDevNmAccessEntry 6 }
```

```
docsDevNmAccessStatus OBJECT-TYPE
    SYNTAX      RowStatus
    MAX-ACCESS  read-create
    STATUS      current
    DESCRIPTION
        "Controls and reflects the status of rows in this
        table. Rows in this table may be created by either the
        create-and-go or create-and-wait paradigms. There is no
        restriction on changing values in a row of this table
while
        the row is active."
```

St. Johns Standards [Page
18]

RFC 2669 DOCSIS Cable Device MIB August
1999

```
 ::= { docsDevNmAccessEntry 7 }
```

```
--
-- Procedures for using the following group are described in section
-- 3.2.1 of the DOCSIS Radio Frequency Interface Specification
--
```

```
docsDevSoftware OBJECT IDENTIFIER ::= { docsDevMIBObjects 3 }
```

```
docsDevSwServer OBJECT-TYPE
    SYNTAX      IpAddress
```

```

MAX-ACCESS read-write
STATUS current
DESCRIPTION
    "The address of the TFTP server used for software
upgrades.
    If the TFTP server is unknown, return 0.0.0.0."
 ::= { docsDevSoftware 1 }

docsDevSwFilename OBJECT-TYPE
SYNTAX SnmpAdminString (SIZE (0..64))
MAX-ACCESS read-write
STATUS current
DESCRIPTION
    "The file name of the software image to be loaded into
this
    device. Unless set via SNMP, this is the file name
    specified by the provisioning server that corresponds to
    the software version that is desired for this device.
    If unknown, the string '(unknown)' is returned."
 ::= { docsDevSoftware 2 }

docsDevSwAdminStatus OBJECT-TYPE
SYNTAX INTEGER {
    upgradeFromMgt(1),
    allowProvisioningUpgrade(2),
    ignoreProvisioningUpgrade(3)
}
MAX-ACCESS read-write
STATUS current
DESCRIPTION
    "If set to upgradeFromMgt(1), the device will initiate a
    TFTP software image download using docsDevSwFilename.
    After successfully receiving an image, the device will
    set its state to ignoreProvisioningUpgrade(3) and
reboot.
    If the download process is interrupted by a reset or
    power failure, the device will load the previous image
    and, after re-initialization, continue to attempt
loading
    the image specified in docsDevSwFilename.

```

If set to allowProvisioningUpgrade(2), the device will use the software version information supplied by the provisioning server when next rebooting (this does not cause a reboot).

When set to ignoreProvisioningUpgrade(3), the device will disregard software image upgrade information from the provisioning server.

Note that reading this object can return
upgradeFromMgt(1).
This indicates that a software download is currently in
progress, and that the device will reboot after
successfully receiving an image.

At initial startup, this object has the default value of
allowProvisioningUpgrade(2)."
::= { docsDevSoftware 3 }

docsDevSwOperStatus OBJECT-TYPE

SYNTAX INTEGER {
inProgress(1),
completeFromProvisioning(2),
completeFromMgt(3),
failed(4),
other(5)
}

MAX-ACCESS read-only

STATUS current

DESCRIPTION

"InProgress(1) indicates that a TFTP download is
underway,
either as a result of a version mismatch at provisioning
or as a result of a upgradeFromMgt request.
CompleteFromProvisioning(2) indicates that the last
software upgrade was a result of version mismatch at
provisioning. CompleteFromMgt(3) indicates that the last
software upgrade was a result of setting
docsDevSwAdminStatus to upgradeFromMgt.
Failed(4) indicates that the last attempted download
failed, ordinarily due to TFTP timeout."

REFERENCE

"DOCSIS Radio Frequency Interface Specification, Section
8.2, Downloading Cable Modem Operating Software."

::= { docsDevSoftware 4 }

docsDevSwCurrentVers OBJECT-TYPE

SYNTAX SnmpAdminString

MAX-ACCESS read-only

STATUS current

St. Johns
20]

Standards

[Page

RFC 2669
1999

DOCSIS Cable Device MIB

August

DESCRIPTION

"The software version currently operating in this device.
This object should be in the syntax used by the
individual
vendor to identify software versions. Any CM MUST
return a
string descriptive of the current software load. For a
CMTS, this object SHOULD contain either a human readable
representation of the vendor specific designation of the
software for the chassis, or of the software for the

```

        control processor. If neither of these is applicable,
        this MUST contain an empty string."
 ::= { docsDevSoftware 5 }

--
-- The following group describes server access and parameters used
for
-- initial provisioning and bootstrapping.
--

docsDevServer OBJECT IDENTIFIER ::= { docsDevMIBObjects 4 }

docsDevServerBootState OBJECT-TYPE
    SYNTAX INTEGER {
        operational(1),
        disabled(2),
        waitingForDhcpOffer(3),
        waitingForDhcpResponse(4),
        waitingForTimeServer(5),
        waitingForTftp(6),
        refusedByCmts(7),
        forwardingDenied(8),
        other(9),
        unknown(10)
    }
    MAX-ACCESS read-only
    STATUS current
    DESCRIPTION
        "If operational(1), the device has completed loading and
        processing of configuration parameters and the CMTS has
        completed the Registration exchange.
        If disabled(2) then the device was administratively
        disabled, possibly by being refused network access in
the
        configuration file.
        If waitingForDhcpOffer(3) then a DHCP Discover has been
        transmitted and no offer has yet been received.
        If waitingForDhcpResponse(4) then a DHCP Request has
been
        transmitted and no response has yet been received.
        If waitingForTimeServer(5) then a Time Request has been
        transmitted and no response has yet been received.

        If waitingForTftp(6) then a request to the TFTP
parameter
        server has been made and no response received.
        If refusedByCmts(7) then the Registration
Request/Response
        exchange with the CMTS failed.
        If forwardingDenied(8) then the registration process
        completed, but the network access option in the received

```

```
configuration file prohibits forwarding. "
REFERENCE
  "DOCSIS Radio Frequency Interface Specification, Figure
  7-1, CM Initialization Overview."
 ::= { docsDevServer 1 }
```

```
docsDevServerDhcp OBJECT-TYPE
  SYNTAX      IPAddress
  MAX-ACCESS  read-only
  STATUS      current
  DESCRIPTION
    "The IP address of the DHCP server that assigned an IP
    address to this device. Returns 0.0.0.0 if DHCP was not
    used for IP address assignment."
 ::= { docsDevServer 2 }
```

```
docsDevServerTime OBJECT-TYPE
  SYNTAX      IPAddress
  MAX-ACCESS  read-only
  STATUS      current
  DESCRIPTION
    "The IP address of the Time server (RFC-868). Returns
    0.0.0.0 if the time server IP address is unknown."
 ::= { docsDevServer 3 }
```

```
docsDevServerTftp OBJECT-TYPE
  SYNTAX      IPAddress
  MAX-ACCESS  read-only
  STATUS      current
  DESCRIPTION
    "The IP address of the TFTP server responsible for
    downloading provisioning and configuration parameters
    to this device. Returns 0.0.0.0 if the TFTP server
    address is unknown."
 ::= { docsDevServer 4 }
```

```
docsDevServerConfigFile OBJECT-TYPE
  SYNTAX      SnmpAdminString
  MAX-ACCESS  read-only
  STATUS      current
  DESCRIPTION
    "The name of the device configuration file read from the
```

St. Johns Standards [Page
22]

RFC 2669 DOCSIS Cable Device MIB August
1999

```
TFTP server. Returns an empty string if the
configuration
  file name is unknown."
 ::= { docsDevServer 5 }
```

```
--
-- Event Reporting
--
```



```

docsDevEvent OBJECT IDENTIFIER ::= { docsDevMIBObjects 5 }

docsDevEvControl OBJECT-TYPE
    SYNTAX INTEGER {
        resetLog(1),
        useDefaultReporting(2)
    }
    MAX-ACCESS read-write
    STATUS current
    DESCRIPTION
        "Setting this object to resetLog(1) empties the event
log.
        All data is deleted. Setting it to
useDefaultReporting(2)
        returns all event priorities to their factory-default
reporting. Reading this object always returns
useDefaultReporting(2)."
```

```

 ::= { docsDevEvent 1 }

docsDevEvSyslog OBJECT-TYPE
    SYNTAX IpAddress
    MAX-ACCESS read-write
    STATUS current
    DESCRIPTION
        "The IP address of the Syslog server. If 0.0.0.0, syslog
transmission is inhibited."
```

```

 ::= { docsDevEvent 2 }

docsDevEvThrottleAdminStatus OBJECT-TYPE
    SYNTAX INTEGER {
        unconstrained(1),
        maintainBelowThreshold(2),
        stopAtThreshold(3),
        inhibited(4)
    }
    MAX-ACCESS read-write
    STATUS current
    DESCRIPTION
        "Controls the transmission of traps and syslog messages
with respect to the trap pacing threshold.
        unconstrained(1) causes traps and syslog messages to be
transmitted without regard to the threshold settings.
```

maintainBelowThreshold(2) causes trap transmission and syslog messages to be suppressed if the number of traps would otherwise exceed the threshold.

stopAtThreshold(3) causes trap transmission to cease at the threshold, and not resume until directed to do so.

inhibited(4) causes all trap transmission and syslog messages to be suppressed.

trap

A single event is always treated as a single event for threshold counting. That is, an event causing both a

and a syslog message is still treated as a single event.

Writing to this object resets the thresholding state.

At initial startup, this object has a default value of unconstrained(1)."

```
::= { docsDevEvent 3 }
```

docsDevEvThrottleInhibited OBJECT-TYPE

```
SYNTAX      TruthValue
MAX-ACCESS  read-only
STATUS      current
DESCRIPTION
    "If true(1), trap and syslog transmission is currently inhibited due to thresholds and/or the current setting of docsDevEvThrottleAdminStatus. In addition, this is set to true(1) if transmission is inhibited due to no syslog (docsDevEvSyslog) or trap (docsDevNmAccessEntry) destinations having been set."
```

```
::= { docsDevEvent 4 }
```

docsDevEvThrottleThreshold OBJECT-TYPE

```
SYNTAX      Unsigned32
MAX-ACCESS  read-write
STATUS      current
DESCRIPTION
    "Number of trap/syslog events per docsDevEvThrottleInterval to be transmitted before throttling.


A single event is always treated as a single event for threshold counting. That is, an event causing both a



trap



and a syslog message is still treated as a single event.



At initial startup, this object returns 0."


```

```
::= { docsDevEvent 5 }
```

docsDevEvThrottleInterval OBJECT-TYPE

```
SYNTAX      Integer32 (1..2147483647)
```

St. Johns Standards [Page
24]

RFC 2669 DOCSIS Cable Device MIB August
1999

```
UNITS      "seconds"
MAX-ACCESS  read-write
STATUS      current
DESCRIPTION
    "The interval over which the trap threshold applies. At initial startup, this object has a value of 1."
```

```

 ::= { docsDevEvent 6 }

--
-- The following table controls the reporting of the various classes
of
-- events.
--

docsDevEvControlTable OBJECT-TYPE
    SYNTAX      SEQUENCE OF DocsDevEvControlEntry
    MAX-ACCESS  not-accessible
    STATUS      current
    DESCRIPTION
        "This table allows control of the reporting of event
classes.
For each event priority, a combination of logging and
reporting mechanisms may be chosen. The mapping of event
types
to priorities is vendor-dependent. Vendors may also choose to
allow the user to control that mapping through proprietary
means."
 ::= { docsDevEvent 7 }

docsDevEvControlEntry OBJECT-TYPE
    SYNTAX      DocsDevEvControlEntry
    MAX-ACCESS  not-accessible
    STATUS      current
    DESCRIPTION
        "Allows configuration of the reporting mechanisms for a
particular event priority."
    INDEX { docsDevEvPriority }
 ::= { docsDevEvControlTable 1 }

DocsDevEvControlEntry ::= SEQUENCE {
    docsDevEvPriority      INTEGER,
    docsDevEvReporting    BITS
}

docsDevEvPriority OBJECT-TYPE
    SYNTAX INTEGER {
        emergency(1),
        alert(2),
        critical(3),
        error(4),
        warning(5),
        notice(6),
        information(7),
        debug(8)
    }

```

```

MAX-ACCESS not-accessible
STATUS current
DESCRIPTION
    "The priority level that is controlled by this
    entry. These are ordered from most (emergency) to least
    (debug) critical. Each event with a CM or CMTS has a
    particular priority level associated with it (as defined
    by the vendor). During normal operation no event more
    critical than notice(6) should be generated. Events
between
    warning and emergency should be generated at appropriate
to
    levels of problems (e.g. emergency when the box is about
    crash)."
```

```

 ::= { docsDevEvControlEntry 1 }

docsDevEvReporting OBJECT-TYPE
    SYNTAX BITS {
        local(0),
        traps(1),
        syslog(2)
    }
    MAX-ACCESS read-write
    STATUS current
    DESCRIPTION
        "Defines the action to be taken on occurrence of this
        event class. Implementations may not necessarily support
        all options for all event classes, but at minimum must
        allow traps and syslogging to be disabled. If the
        local(0) bit is set, then log to the internal log, if
the
        traps(1) bit is set, then generate a trap, if the
        syslog(2) bit is set, then send a syslog message
        (assuming the syslog address is set)."
```

```

 ::= { docsDevEvControlEntry 2 }

docsDevEventTable OBJECT-TYPE
    SYNTAX SEQUENCE OF DocsDevEventEntry
    MAX-ACCESS not-accessible
    STATUS current
    DESCRIPTION
        "Contains a log of network and device events that may be
        of interest in fault isolation and troubleshooting."
```

```

 ::= { docsDevEvent 8 }

```

```

docsDevEventEntry OBJECT-TYPE
    SYNTAX DocsDevEventEntry
    MAX-ACCESS not-accessible
    STATUS current
    DESCRIPTION
        "Describes a network or device event that may be of

```

Multiple interest in fault isolation and troubleshooting.

Sequential identical events are represented by incrementing docsDevEvCounts and setting docsDevEvLastTime to the current time rather than creating multiple rows.

Entries are created with the first occurrence of an event.

docsDevEvControl can be used to clear the table. Individual events can not be deleted."

```

INDEX { docsDevEvIndex }

 ::= { docsDevEventTable 1 }

DocsDevEventEntry ::= SEQUENCE {
    docsDevEvIndex          Integer32,
    docsDevEvFirstTime     DateAndTime,
    docsDevEvLastTime      DateAndTime,
    docsDevEvCounts        Counter32,
    docsDevEvLevel         INTEGER,
    docsDevEvId            Unsigned32,
    docsDevEvText          SnmpAdminString
}

docsDevEvIndex OBJECT-TYPE
    SYNTAX      Integer32 (1..2147483647)
    MAX-ACCESS  not-accessible
    STATUS      current
    DESCRIPTION
        "Provides relative ordering of the objects in the event
        log. This object will always increase except when
        (a) the log is reset via docsDevEvControl,
        (b) the device reboots and does not implement non-
        volatile
        storage for this log, or (c) it reaches the value 2^31.
        The next entry for all the above cases is 1."
    ::= { docsDevEventEntry 1 }

docsDevEvFirstTime OBJECT-TYPE
    SYNTAX      DateAndTime
    MAX-ACCESS  read-only
    STATUS      current
    DESCRIPTION
        "The time that this entry was created."

```

St. Johns Standards [Page 27]

RFC 2669 DOCSIS Cable Device MIB August 1999

```

 ::= { docsDevEventEntry 2 }

docsDevEvLastTime OBJECT-TYPE
    SYNTAX      DateAndTime
    MAX-ACCESS  read-only

```

```

        STATUS      current
        DESCRIPTION
            "If multiple events are reported via the same entry, the
            time that the last event for this entry occurred,
            otherwise this should have the same value as
            docsDevEvFirstTime. "
        ::= { docsDevEventEntry 3 }

-- This object was renamed from docsDevEvCount to meet naming
-- requirements for Counter32
docsDevEvCounts OBJECT-TYPE
    SYNTAX      Counter32
    MAX-ACCESS  read-only
    STATUS      current
    DESCRIPTION
        "The number of consecutive event instances reported by
        this entry. This starts at 1 with the creation of this
        row and increments by 1 for each subsequent duplicate
        event."
    ::= { docsDevEventEntry 4 }

docsDevEvLevel OBJECT-TYPE
    SYNTAX INTEGER {
        emergency(1),
        alert(2),
        critical(3),
        error(4),
        warning(5),
        notice(6),
        information(7),
        debug(8)
    }
    MAX-ACCESS  read-only
    STATUS      current
    DESCRIPTION
        "The priority level of this event as defined by the
        vendor. These are ordered from most serious (emergency)
        to least serious (debug)."
    ::= { docsDevEventEntry 5 }

--
-- Vendors will provide their own enumerations for the following.
-- The interpretation of the enumeration is unambiguous for a

```

St. Johns	Standards	[Page
28]		
RFC 2669	DOCSIS Cable Device MIB	August
1999		

```

-- particular value of the vendor's enterprise number in sysObjectID.
--

```

```

docsDevEvId OBJECT-TYPE
    SYNTAX      Unsigned32
    MAX-ACCESS  read-only
    STATUS      current
    DESCRIPTION

```

```
        "For this product, uniquely identifies the type of event
        that is reported by this entry."
 ::= { docsDevEventEntry 6 }
```

```
docsDevEvText OBJECT-TYPE
```

```
    SYNTAX      SnmpAdminString
```

```
    MAX-ACCESS  read-only
```

```
    STATUS      current
```

```
    DESCRIPTION
```

```
        "Provides a human-readable description of the event,
        including all relevant context (interface numbers,
        etc.)."
```

```
 ::= { docsDevEventEntry 7 }
```

```
docsDevFilter OBJECT IDENTIFIER ::= { docsDevMIBObjects 6 }
```

```
--
```

```
-- Link Level Control Filtering
```

```
--
```

```
-- docsDevFilterLLCDefault renamed to docsDevFilterLLCUnmatchedAction
```

```
docsDevFilterLLCUnmatchedAction OBJECT-TYPE
```

```
    SYNTAX INTEGER {
```

```
        discard(1),
```

```
        accept(2)
```

```
    }
```

```
    MAX-ACCESS  read-write
```

```
    STATUS      current
```

```
    DESCRIPTION
```

```
        "LLC (Link Level Control) filters can be defined on an
        inclusive or exclusive basis: CMs can be configured to
        forward only packets matching a set of layer three
        protocols, or to drop packets matching a set of layer
        three protocols. Typical use of these filters is to
        filter out possibly harmful (given the context of a
```

```
large
```

```
metropolitan LAN) protocols.
```

```
        If set to discard(1), any L2 packet which does not match
```

```
at
```

```
St. Johns  
29]
```

```
Standards
```

```
[Page
```

```
RFC 2669  
1999
```

```
DOCSIS Cable Device MIB
```

```
August
```

```
least one filter in the docsDevFilterLLCTable will be
discarded. If set to accept(2), any L2 packet which does
```

```
not
```

```
match at least one filter in the docsDevFilterLLCTable
will be accepted for further processing (e.g.,
```

```
bridging).
```

```
At initial system startup, this object returns
```

```
accept(2)."
```

```
 ::= { docsDevFilter 1 }
```

```
docsDevFilterLLCTable OBJECT-TYPE
    SYNTAX      SEQUENCE OF DocsDevFilterLLCEntry
    MAX-ACCESS  not-accessible
    STATUS      current
    DESCRIPTION
        "A list of filters to apply to (bridged) LLC
        traffic. The filters in this table are applied to
        incoming traffic on the appropriate interface(s) prior
        to any further processing (e.g. before handing the
        packet
        off for level 3 processing, or for bridging). The
        specific action taken when no filter is matched is
        controlled by docsDevFilterLLCUnmatchedAction."
    ::= { docsDevFilter 2 }
```

```
docsDevFilterLLCEntry OBJECT-TYPE
    SYNTAX      DocsDevFilterLLCEntry
    MAX-ACCESS  not-accessible
    STATUS      current
    DESCRIPTION
        "Describes a single filter to apply to (bridged) LLC
        traffic
        received on a specified interface. "
    INDEX { docsDevFilterLLCIndex }
    ::= { docsDevFilterLLCTable 1 }
```

```
DocsDevFilterLLCEntry ::= SEQUENCE {
    docsDevFilterLLCIndex          Integer32,
    docsDevFilterLLCStatus        RowStatus,
    docsDevFilterLLCIfIndex       InterfaceIndexOrZero,
    docsDevFilterLLCProtocolType  INTEGER,
    docsDevFilterLLCProtocol      Integer32,
    docsDevFilterLLCMatches       Counter32
}
```

```
docsDevFilterLLCIndex OBJECT-TYPE
    SYNTAX      Integer32 (1..2147483647)
    MAX-ACCESS  not-accessible
    STATUS      current
    DESCRIPTION
        "Index used for the identification of filters (note that
        LLC
        filter order is irrelevant)."
```

```
 ::= { docsDevFilterLLCEntry 1 }
```

St. Johns Standards [Page
30]

RFC 2669 DOCSIS Cable Device MIB August
1999

```
docsDevFilterLLCStatus OBJECT-TYPE
    SYNTAX      RowStatus
    MAX-ACCESS  read-create
    STATUS      current
    DESCRIPTION
        "Controls and reflects the status of rows in this
```


table. There is no restriction on changing any of the associated columns for this row while this object is set to active."

```
::= { docsDevFilterLLCEntry 2 }
```

docsDevFilterLLCIfIndex OBJECT-TYPE

SYNTAX InterfaceIndexOrZero

MAX-ACCESS read-create

STATUS current

DESCRIPTION

"The entry interface to which this filter applies. The value corresponds to ifIndex for either a CATV MAC or another network interface. If the value is zero, the filter applies to all interfaces. In Cable Modems, the default value is the customer side interface. In Cable Modem Termination Systems, this object has to be specified to create a row in this table."

```
::= { docsDevFilterLLCEntry 3 }
```

docsDevFilterLLCProtocolType OBJECT-TYPE

SYNTAX INTEGER {
ethertype(1),
dsap(2)
}

MAX-ACCESS read-create

STATUS current

DESCRIPTION

"The format of the value in docsDevFilterLLCProtocol: either a two-byte Ethernet Ethertype, or a one-byte 802.2 SAP value. EtherType(1) also applies to SNAP-encapsulated frames."

DEFVAL { ethertype }

```
::= { docsDevFilterLLCEntry 4 }
```

docsDevFilterLLCProtocol OBJECT-TYPE

SYNTAX Integer32 (0..65535)

MAX-ACCESS read-create

STATUS current

DESCRIPTION

"The layer three protocol for which this filter applies. The protocol value format depends on

docsDevFilterLLCProtocolType. Note that for SNAP frames, etherType filtering is performed rather than DSAP=0xAA."

DEFVAL { 0 }

```
::= { docsDevFilterLLCEntry 5 }
```

docsDevFilterLLCMatches OBJECT-TYPE

SYNTAX Counter32

MAX-ACCESS read-only

STATUS current

```

DESCRIPTION
    "Counts the number of times this filter was matched."
    ::= { docsDevFilterLLCEntry 6 }

-- The default behavior for (bridged) packets that do not match IP
-- filters is defined by
-- docsDevFilterIpDefault.

docsDevFilterIpDefault OBJECT-TYPE
    SYNTAX INTEGER {
        discard(1),
        accept(2)
    }
    MAX-ACCESS read-write
    STATUS current
    DESCRIPTION
        "If set to discard(1), all packets not matching an IP
filter
        will be discarded. If set to accept(2), all packets not
        matching an IP filter will be accepted for further
        processing (e.g., bridging).
        At initial system startup, this object returns
accept(2)."
```

```

    ::= { docsDevFilter 3 }
```

```

docsDevFilterIpTable OBJECT-TYPE
    SYNTAX SEQUENCE OF DocsDevFilterIpEntry
    MAX-ACCESS not-accessible
    STATUS current
    DESCRIPTION
        "An ordered list of filters or classifiers to apply to
        IP traffic. Filter application is ordered by the filter
        index, rather than by a best match algorithm (Note that
        this implies that the filter table may have gaps in the
        index values). Packets which match no filters will have
        policy 0 in the docsDevFilterPolicyTable applied to them
if
        it exists. Otherwise, Packets which match no filters
        are discarded or forwarded according to the setting of
        docsDevFilterIpDefault.

        Any IP packet can theoretically match multiple rows of
```

this table. When considering a packet, the table is scanned in row index order (e.g. filter 10 is checked before filter 20). If the packet matches that filter (which means that it matches ALL criteria for that row), actions appropriate to docsDevFilterIpControl and docsDevFilterPolicyId are taken. If the packet was discarded processing is complete. If docsDevFilterIpContinue is set to true, the filter comparison continues with the next row in the table

looking for additional matches.

If the packet matches no filter in the table, the packet is accepted or dropped for further processing based on the setting of docsDevFilterIpDefault. If the packet is accepted, the actions specified by policy group 0 (e.g. the rows in docsDevFilterPolicyTable which have a value of 0 for docsDevFilterPolicyId) are taken if that policy group exists.

Logically, this table is consulted twice during the processing of any IP packet - once upon its acceptance from the L2 entity, and once upon its transmission to

the

L2 entity. In actuality, for cable modems, IP filtering is generally the only IP processing done for transit traffic. This means that inbound and outbound filtering can generally be done at the same time with one pass through the filter table."

```
::= { docsDevFilter 4 }
```

docsDevFilterIpEntry OBJECT-TYPE

SYNTAX DocsDevFilterIpEntry

MAX-ACCESS not-accessible

STATUS current

DESCRIPTION

"Describes a filter to apply to IP traffic received on a specified interface. All identity objects in this table (e.g. source and destination address/mask, protocol, source/dest port, TOS/mask, interface and direction)

must

match their respective fields in the packet for any

given

filter to match.

To create an entry in this table, docsDevFilterIpIfIndex must be specified."

```
INDEX { docsDevFilterIpIndex }
```

```
::= { docsDevFilterIpTable 1 }
```

DocsDevFilterIpEntry ::= SEQUENCE {

docsDevFilterIpIndex Integer32,

docsDevFilterIpStatus	RowStatus,
docsDevFilterIpControl	INTEGER,
docsDevFilterIpIfIndex	InterfaceIndexOrZero,
docsDevFilterIpDirection	INTEGER,
docsDevFilterIpBroadcast	TruthValue,
docsDevFilterIpSaddr	IpAddress,
docsDevFilterIpSmask	IpAddress,
docsDevFilterIpDaddr	IpAddress,
docsDevFilterIpDmask	IpAddress,

```

docsDevFilterIpProtocol      Integer32,
docsDevFilterIpSourcePortLow Integer32,
docsDevFilterIpSourcePortHigh Integer32,
docsDevFilterIpDestPortLow   Integer32,
docsDevFilterIpDestPortHigh  Integer32,
docsDevFilterIpMatches       Counter32,
docsDevFilterIpTos           OCTET STRING,
docsDevFilterIpTosMask       OCTET STRING,
docsDevFilterIpContinue      TruthValue,
docsDevFilterIpPolicyId      Integer32
}

```

```

docsDevFilterIpIndex OBJECT-TYPE
    SYNTAX      Integer32 (1..2147483647)
    MAX-ACCESS  not-accessible
    STATUS      current
    DESCRIPTION
        "Index used to order the application of filters.
         The filter with the lowest index is always applied
         first."
    ::= { docsDevFilterIpEntry 1 }

```

```

docsDevFilterIpStatus OBJECT-TYPE
    SYNTAX      RowStatus
    MAX-ACCESS  read-create
    STATUS      current
    DESCRIPTION
        "Controls and reflects the status of rows in this
         table. Specifying only this object (with the appropriate
         index) on a CM is sufficient to create a filter row

```

which

```

matches all inbound packets on the ethernet interface,
and results in the packets being
discarded. docsDevFilterIpIfIndex (at least) must be
specified on a CMTS to create a row. Creation of the
rows may be done via either create-and-wait or
create-and-go, but the filter is not applied until this
object is set to (or changes to) active. There is no
restriction in changing any object in a row while this
object is set to active."

```

```

::= { docsDevFilterIpEntry 2 }

```

```

docsDevFilterIpControl OBJECT-TYPE
    SYNTAX INTEGER {
        discard(1),
        accept(2),
        policy(3)
    }
    MAX-ACCESS  read-create
    STATUS      current
    DESCRIPTION

```

"If set to discard(1), all packets matching this filter will be discarded and scanning of the remainder of the filter list will be aborted. If set to accept(2), all packets matching this filter will be accepted for further processing (e.g., bridging). If docsDevFilterIpContinue is set to true, see if there are other matches, otherwise done. If set to policy (3), execute the policy entries matched by docsDevIpFilterPolicyId in docsDevIpFilterPolicyTable.

If is docsDevFilterIpContinue is set to true, continue scanning the table for other matches, otherwise done."

```

DEFVAL { discard }
::= { docsDevFilterIpEntry 3 }

```

```

docsDevFilterIpIfIndex OBJECT-TYPE
    SYNTAX      InterfaceIndexOrZero
    MAX-ACCESS  read-create
    STATUS      current
    DESCRIPTION

```

"The entry interface to which this filter applies. The value corresponds to ifIndex for either a CATV MAC or another network interface. If the value is zero, the filter applies to all interfaces. Default value in Cable Modems is the index of the customer-side (e.g. ethernet) interface. In Cable Modem Termination Systems, this object MUST be specified to create a row in this table."

```

::= { docsDevFilterIpEntry 4 }

```

```

docsDevFilterIpDirection OBJECT-TYPE
    SYNTAX INTEGER {
        inbound(1),
        outbound(2),
        both(3)
    }
    MAX-ACCESS  read-create
    STATUS      current

```

DESCRIPTION

"Determines whether the filter is applied to inbound(1) traffic, outbound(2) traffic, or traffic in both(3) directions."

```

DEFVAL { inbound }
::= { docsDevFilterIpEntry 5 }

```

```

docsDevFilterIpBroadcast OBJECT-TYPE
    SYNTAX      TruthValue
    MAX-ACCESS  read-create
    STATUS      current
    DESCRIPTION

```

"If set to true(1), the filter only applies to multicast and broadcast traffic. If set to false(2), the filter applies to all traffic."
DEFVAL { false }
::= { docsDevFilterIpEntry 6 }

docsDevFilterIpSaddr OBJECT-TYPE

SYNTAX IpAddress
MAX-ACCESS read-create
STATUS current
DESCRIPTION

"The source IP address, or portion thereof, that is to be matched for this filter. The source address is first masked (and'ed) against docsDevFilterIpSmask before

being

compared to this value. A value of 0 for this object and 0 for the mask matches all IP addresses."

DEFVAL { '00000000'h }
::= { docsDevFilterIpEntry 7 }

docsDevFilterIpSmask OBJECT-TYPE

SYNTAX IpAddress
MAX-ACCESS read-create
STATUS current
DESCRIPTION

"A bit mask that is to be applied to the source address prior to matching. This mask is not necessarily the same as a subnet mask, but 1's bits must be leftmost and contiguous."

DEFVAL { '00000000'h }
::= { docsDevFilterIpEntry 8 }

docsDevFilterIpDaddr OBJECT-TYPE

SYNTAX IpAddress
MAX-ACCESS read-create
STATUS current
DESCRIPTION

St. Johns
36]

Standards

[Page

RFC 2669
1999

DOCSIS Cable Device MIB

August

"The destination IP address, or portion thereof, that is to be matched for this filter. The destination address

is

first masked (and'ed) against docsDevFilterIpDmask

before

being compared to this value. A value of 0 for this object and 0 for the mask matches all IP addresses."

DEFVAL { '00000000'h }
::= { docsDevFilterIpEntry 9 }

docsDevFilterIpDmask OBJECT-TYPE

SYNTAX IpAddress
MAX-ACCESS read-create
STATUS current

DESCRIPTION
"A bit mask that is to be applied to the destination address prior to matching. This mask is not necessarily the same as a subnet mask, but 1's bits must be leftmost and contiguous."
DEFVAL { '00000000'h }
::= { docsDevFilterIpEntry 10 }

docsDevFilterIpProtocol OBJECT-TYPE
SYNTAX Integer32 (0..256)
MAX-ACCESS read-create
STATUS current
DESCRIPTION
"The IP protocol value that is to be matched. For example:
icmp is 1, tcp is 6, udp is 17. A value of 256 matches ANY protocol."
DEFVAL { 256 }
::= { docsDevFilterIpEntry 11 }

docsDevFilterIpSourcePortLow OBJECT-TYPE
SYNTAX Integer32 (0..65535)
MAX-ACCESS read-create
STATUS current
DESCRIPTION
"If docsDevFilterIpProtocol is udp or tcp, this is the inclusive lower bound of the transport-layer source port range that is to be matched, otherwise it is ignored during matching."
DEFVAL { 0 }
::= { docsDevFilterIpEntry 12 }

docsDevFilterIpSourcePortHigh OBJECT-TYPE
SYNTAX Integer32 (0..65535)
MAX-ACCESS read-create
STATUS current
DESCRIPTION

St. Johns Standards [Page
37]

RFC 2669 DOCSIS Cable Device MIB August
1999

"If docsDevFilterIpProtocol is udp or tcp, this is the inclusive upper bound of the transport-layer source port range that is to be matched, otherwise it is ignored during matching."
DEFVAL { 65535 }
::= { docsDevFilterIpEntry 13 }

docsDevFilterIpDestPortLow OBJECT-TYPE
SYNTAX Integer32 (0..65535)
MAX-ACCESS read-create
STATUS current
DESCRIPTION
"If docsDevFilterIpProtocol is udp or tcp, this is the inclusive lower bound of the transport-layer destination

```

        port range that is to be matched, otherwise it is
ignored
        during matching."
    DEFVAL { 0 }
    ::= { docsDevFilterIpEntry 14 }

docsDevFilterIpDestPortHigh OBJECT-TYPE
    SYNTAX      Integer32 (0..65535)
    MAX-ACCESS  read-create
    STATUS      current
    DESCRIPTION
        "If docsDevFilterIpProtocol is udp or tcp, this is the
        inclusive upper bound of the transport-layer destination
        port range that is to be matched, otherwise it is
ignored
        during matching."
    DEFVAL { 65535 }
    ::= { docsDevFilterIpEntry 15 }

docsDevFilterIpMatches OBJECT-TYPE
    SYNTAX      Counter32
    MAX-ACCESS  read-only
    STATUS      current
    DESCRIPTION
        "Counts the number of times this filter was matched.
        This object is initialized to 0 at boot, or at row
        creation, and is reset only upon reboot."
    ::= { docsDevFilterIpEntry 16 }

docsDevFilterIpTos OBJECT-TYPE
    SYNTAX      OCTET STRING ( SIZE (1))
    MAX-ACCESS  read-create
    STATUS      current
    DESCRIPTION
        "This is the value to be matched to the packet's
        TOS (Type of Service) value (after the TOS value

```

St. Johns Standards [Page
38]

RFC 2669 DOCSIS Cable Device MIB August
1999

```

        is AND'd with docsDevFilterIpTosMask). A value for this
        object of 0 and a mask of 0 matches all TOS values."
    DEFVAL { '00'h }
    ::= { docsDevFilterIpEntry 17 }

```

```

docsDevFilterIpTosMask OBJECT-TYPE
    SYNTAX      OCTET STRING ( SIZE (1) )
    MAX-ACCESS  read-create
    STATUS      current
    DESCRIPTION
        "The mask to be applied to the packet's TOS value before
        matching."
    DEFVAL { '00'h }
    ::= { docsDevFilterIpEntry 18 }

```



```
docsDevFilterIpContinue OBJECT-TYPE
    SYNTAX      TruthValue
    MAX-ACCESS  read-create
    STATUS      current
    DESCRIPTION
        "If this value is set to true, and docsDevFilterIpControl
        is anything but discard (1), continue scanning and
        applying policies."
    DEFVAL { false }
    ::= { docsDevFilterIpEntry 19 }
```

```
docsDevFilterIpPolicyId OBJECT-TYPE
    SYNTAX      Integer32 (0..2147483647)
    MAX-ACCESS  read-create
    STATUS      current
    DESCRIPTION
```

```
    "This object points to an entry in
docsDevFilterPolicyTable.
    If docsDevFilterIpControl is set to policy (3), execute
    all matching policies in docsDevFilterPolicyTable.
    If no matching policy exists, treat as if
    docsDevFilterIpControl were set to accept (1).
    If this object is set to the value of 0, there is no
    matching policy, and docsDevFilterPolicyTable MUST NOT
be
    consulted."
    DEFVAL { 0 }
    ::= { docsDevFilterIpEntry 20 }
```

```
--
--
```

```
docsDevFilterPolicyTable OBJECT-TYPE
    SYNTAX      SEQUENCE OF DocsDevFilterPolicyEntry
    MAX-ACCESS  not-accessible
```

```
St. Johns                               Standards                               [Page
39]

RFC 2669                                DOCSIS Cable Device MIB                               August
1999
```

```
STATUS      current
DESCRIPTION
    "A Table which maps between a policy group ID and a set
of
    policies to be applied. All rows with the same
docsDevFilterPolicyId are part of the same policy group
and are applied in the order in which they are in this
table.

docsDevFilterPolicyTable exists to allow multiple policy
actions to be applied to any given classified packet.
The
    policy actions are applied in index order For example:
```

Index	ID	Type	Action
1	1	TOS	1

```

9      5      TOS      1
12     1      IPSEC    3

```

This says that a packet which matches a filter with policy id 1, first has TOS policy 1 applied (which might set the TOS bits to enable a higher priority), and next has the IPSEC policy 3 applied (which may result in the packet being dumped into a secure VPN to a remote encryptor).

Policy ID 0 is reserved for default actions and is applied only to packets which match no filters in docsDevIpFilterTable."

```
 ::= { docsDevFilter 5 }
```

docsDevFilterPolicyEntry OBJECT-TYPE

SYNTAX DocsDevFilterPolicyEntry

MAX-ACCESS not-accessible

STATUS current

DESCRIPTION

"An entry in the docsDevFilterPolicyTable. Entries are created by Network Management. To create an entry, docsDevFilterPolicyId and docsDevFilterPolicyAction must be specified."

INDEX { docsDevFilterPolicyIndex }

```
 ::= { docsDevFilterPolicyTable 1 }
```

DocsDevFilterPolicyEntry ::= SEQUENCE {

docsDevFilterPolicyIndex Integer32,

docsDevFilterPolicyId Integer32,

-- docsDevFilterPolicyType INTEGER,

-- docsDevFilterPolicyAction Integer32,

docsDevFilterPolicyStatus RowStatus,

docsDevFilterPolicyPtr RowPointer

St. Johns
40]

Standards

[Page

RFC 2669
1999

DOCSIS Cable Device MIB

August

```
 }
```

docsDevFilterPolicyIndex OBJECT-TYPE

SYNTAX Integer32 (1..2147483647)

MAX-ACCESS not-accessible

STATUS current

DESCRIPTION "Index value for the table."

```
 ::= { docsDevFilterPolicyEntry 1 }
```

docsDevFilterPolicyId OBJECT-TYPE

SYNTAX Integer32 (0..2147483647)

MAX-ACCESS read-create

STATUS current

DESCRIPTION

"Policy ID for this entry. A policy ID can apply to multiple rows of this table, all relevant policies are executed. Policy 0 (if populated) is applied to all

```

        packets which do not match any of the filters. N.B. If
        docsDevFilterIpPolicyId is set to 0, it DOES NOT match
        policy 0 of this table. "
 ::= { docsDevFilterPolicyEntry 2 }

-- docsDevFilterPolicyType ::= { docsDevFilterPolicyEntry 3} Removed
-- docsDevFilterPolicyAction ::= { docsDevFilterPolicyEntry 4 }
removed

docsDevFilterPolicyStatus OBJECT-TYPE
    SYNTAX      RowStatus
    MAX-ACCESS  read-create
    STATUS      current
    DESCRIPTION
        "Object used to create an entry in this table."
 ::= { docsDevFilterPolicyEntry 5 }

docsDevFilterPolicyPtr OBJECT-TYPE
    SYNTAX      RowPointer
    MAX-ACCESS  read-create
    STATUS      current
    DESCRIPTION
        "This object points to a row in an applicable filter
policy
        table. Currently, the only standard policy table is
docsDevFilterTosTable. Per the textual convention, this
object points to the first accessible object in the row.
E.g. to point to a row in docsDevFilterTosTable with an
index of 21, the value of this object would be the
object
        identifier docsDevTosStatus.21.

        Vendors must adhere to the same convention when adding

St. Johns                Standards                [Page
41]

RFC 2669                DOCSIS Cable Device MIB                August
1999

        vendor specific policy table extensions.

        The default upon row creation is a null pointer which
        results in no policy action being taken."
DEFVAL { zeroDotZero }
 ::= { docsDevFilterPolicyEntry 6 }

--
-- TOS Policy action table
--

docsDevFilterTosTable OBJECT-TYPE
    SYNTAX      SEQUENCE OF DocsDevFilterTosEntry
    MAX-ACCESS  not-accessible
    STATUS      current
    DESCRIPTION
        "Table used to describe Type of Service (TOS) bits

```

processing.

This table is an adjunct to the docsDevFilterIpTable,
and the docsDevFilterPolicy table. Entries in the latter
table can point to specific rows in this (and other)
tables and cause specific actions to be taken. This
table permits the manipulation of the value of the Type of
Service bits in the IP header of the matched packet as
follows:
Set the tosBits of the packet to
(tosBits & docsDevFilterTosAndMask) |

docsDevFilterTosOrMask

This construct allows you to do a clear and set of all
the TOS bits in a flexible manner."
::= { docsDevFilter 6 }

docsDevFilterTosEntry OBJECT-TYPE
SYNTAX DocsDevFilterTosEntry
MAX-ACCESS not-accessible
STATUS current
DESCRIPTION
"A TOS policy entry."
INDEX { docsDevFilterTosIndex }
::= { docsDevFilterTosTable 1 }

DocsDevFilterTosEntry ::= SEQUENCE {
docsDevFilterTosIndex Integer32,
docsDevFilterTosStatus RowStatus,
docsDevFilterTosAndMask OCTET STRING (SIZE (1)),
docsDevFilterTosOrMask OCTET STRING (SIZE (1))

St. Johns Standards [Page
42]

RFC 2669 DOCSIS Cable Device MIB August
1999

}

docsDevFilterTosIndex OBJECT-TYPE
SYNTAX Integer32 (1..2147483647)
MAX-ACCESS not-accessible
STATUS current
DESCRIPTION
"The unique index for this row. There are no ordering
requirements for this table and any valid index may be
specified."
::= { docsDevFilterTosEntry 1 }

docsDevFilterTosStatus OBJECT-TYPE
SYNTAX RowStatus
MAX-ACCESS read-create
STATUS current
DESCRIPTION

and-go

is

active."

```
 ::= { docsDevFilterTosEntry 2 }
```

docsDevFilterTosAndMask OBJECT-TYPE

```
SYNTAX      OCTET STRING (SIZE (1))
MAX-ACCESS  read-create
STATUS      current
DESCRIPTION
```

```
    "This value is bitwise AND'd with the matched packet's
TOS bits."
DEFVAL { 'ff'h }
 ::= { docsDevFilterTosEntry 3 }
```

docsDevFilterTosOrMask OBJECT-TYPE

```
SYNTAX      OCTET STRING (SIZE (1))
MAX-ACCESS  read-create
STATUS      current
DESCRIPTION
```

```
    "After bitwise AND'ing with the above bits, the packet's
TOS bits are bitwise OR'd with these bits."
DEFVAL { '00'h }
 ::= { docsDevFilterTosEntry 4 }
```

St. Johns Standards [Page
43]

RFC 2669 DOCSIS Cable Device MIB August
1999

```
--
-- CPE IP Management and anti spoofing group. Only implemented on
-- Cable Modems.
--
```

```
docsDevCpe OBJECT IDENTIFIER ::= { docsDevMIBObjects 7 }
```

docsDevCpeEnroll OBJECT-TYPE

```
SYNTAX      INTEGER {
    none(1),
    any(2)
}
MAX-ACCESS  read-write
STATUS      current
DESCRIPTION
```

```
    "This object controls the population of
docsDevFilterCpeTable.
    If set to none, the filters must be set manually.
```

If set to any, the CM wiretaps the packets originating from the ethernet and enrolls up to docsDevCpeIpMax addresses based on the source IP addresses of those packets. At initial system startup, default value for this

```

    object is any(2)."
 ::= { docsDevCpe 1 }

```

docsDevCpeIpMax OBJECT-TYPE
 SYNTAX Integer32 (-1..2147483647)
 MAX-ACCESS read-write
 STATUS current
 DESCRIPTION
 "This object controls the maximum number of CPEs allowed to connect behind this device. If set to zero, any number of CPEs may connect up to the maximum permitted for the device. If set to -1, no filtering is done on CPE source addresses, and no entries are made in the docsDevFilterCpeTable. If an attempt is made to set this to a number greater than that permitted for the device, it is set to that maximum. At initial system startup, default value for this object is 1."
 ::= { docsDevCpe 2 }

docsDevCpeTable OBJECT-TYPE
 SYNTAX SEQUENCE OF DocsDevCpeEntry
 MAX-ACCESS not-accessible
 STATUS current
 DESCRIPTION
 "This table lists the IP addresses seen (or permitted) as source addresses in packets originating from the customer interface on this device. In addition, this table can be

St. Johns Standards [Page
 44]

RFC 2669 DOCSIS Cable Device MIB August
 1999

provisioned with the specific addresses permitted for the CPEs via the normal row creation mechanisms."
 ::= { docsDevCpe 3 }

docsDevCpeEntry OBJECT-TYPE
 SYNTAX DocsDevCpeEntry
 MAX-ACCESS not-accessible
 STATUS current
 DESCRIPTION

entry "An entry in the docsDevFilterCpeTable. There is one
 for each IP CPE seen or provisioned. If docsDevCpeIpMax
 receipt is set to -1, this table is ignored, otherwise: Upon
 the of an IP packet from the customer interface of the CM,
 the source IP address is checked against this table. If the
 address is in the table, packet processing continues.
 If the address is not in the table, but docsDevCpeEnroll
 is set to any and the table size is less than
 docsDevCpeIpMax, the address is added to the table and
 packet processing continues. Otherwise, the packet is
 dropped.

after The filtering actions specified by this table occur
 any LLC filtering (docsDevFilterLLCTable), but prior
 to any IP filtering (docsDevFilterIpTable,
 docsDevNmAccessTable)."

```
INDEX { docsDevCpeIp }
 ::= { docsDevCpeTable 1 }
```

```
DocsDevCpeEntry ::= SEQUENCE {
    docsDevCpeIp      IPAddress,
    docsDevCpeSource  INTEGER,
    docsDevCpeStatus  RowStatus
}
```

```
docsDevCpeIp OBJECT-TYPE
    SYNTAX      IPAddress
    MAX-ACCESS  not-accessible
    STATUS      current
    DESCRIPTION
        "The IP address to which this entry applies."
    ::= { docsDevCpeEntry 1 }
```

```
docsDevCpeSource OBJECT-TYPE
    SYNTAX      INTEGER {
        other(1),
        manual(2),
        learned(3)
    }
```

```
MAX-ACCESS  read-only
STATUS      current
DESCRIPTION
```

"This object describes how this entry was created. If the value is manual(2), this row was created by a network management action (either configuration, or SNMP set). If set to learned(3), then it was found via looking at the source IP address of a received packet."

```

        ::= { docsDevCpeEntry 2 }

docsDevCpeStatus OBJECT-TYPE
    SYNTAX RowStatus
    MAX-ACCESS read-create
    STATUS current
    DESCRIPTION
        "Standard object to manipulate rows. To create a row in
this
        table, you only need to specify this object. Management
stations SHOULD use the create-and-go mechanism for
creating rows in this table."
    ::= { docsDevCpeEntry 3 }

--
-- Placeholder for notifications/traps.
--
docsDevNotification OBJECT IDENTIFIER ::= { docsDev 2 }

--
-- Conformance definitions
--
docsDevConformance OBJECT IDENTIFIER ::= { docsDev 3 }
docsDevGroups OBJECT IDENTIFIER ::= { docsDevConformance 1 }
docsDevCompliances OBJECT IDENTIFIER ::= { docsDevConformance 2 }

docsDevBasicCompliance MODULE-COMPLIANCE
    STATUS current
    DESCRIPTION
        "The compliance statement for MCNS Cable Modems and
Cable Modem Termination Systems."

MODULE -- docsDev

-- conditionally mandatory groups

GROUP docsDevBaseGroup
    DESCRIPTION
        "Mandatory in Cable Modems, optional in Cable Modem
Termination Systems."

St. Johns Standards [Page
46]

RFC 2669 DOCSIS Cable Device MIB August
1999

GROUP docsDevEventGroup
    DESCRIPTION
        "Mandatory in Cable Modems, optional in Cable Modem
Termination Systems."

GROUP docsDevFilterGroup
    DESCRIPTION
        "Mandatory in Cable Modems, optional in Cable Modem
Termination Systems."

```


GROUP docsDevNmAccessGroup
DESCRIPTION
"This group is only implemented in devices which do not implement SNMPv3 User Security Model. It SHOULD NOT be implemented by SNMPv3 conformant devices.

For devices which do not implement SNMPv3 or later, this group is Mandatory in Cable Modems and is optional in Cable Modem Termination Systems."

GROUP docsDevServerGroup
DESCRIPTION
"This group is implemented only in Cable Modems and is not implemented in Cable Modem Termination Systems."

GROUP docsDevSoftwareGroup
DESCRIPTION
"This group is Mandatory in Cable Modems and optional in Cable Modem Termination Systems."

GROUP docsDevCpeGroup
DESCRIPTION
"This group is Mandatory in Cable Modems, and is not implemented in Cable Modem Termination Systems. A similar capability for CMTS devices may be proposed later after study."

OBJECT docsDevSTPControl
MIN-ACCESS read-only
DESCRIPTION
"It is compliant to implement this object as read-only. Devices need only support noStFilterBpdu(2)."

OBJECT docsDevEvReporting
MIN-ACCESS read-only
DESCRIPTION
"It is compliant to implement this object as read-only. Devices need only support local(0)."

St. Johns Standards [Page
47]

RFC 2669 DOCSIS Cable Device MIB August
1999

::= { docsDevCompliances 1 }

docsDevBaseGroup OBJECT-GROUP
OBJECTS {
docsDevRole,
docsDevDateTime,
docsDevResetNow,
docsDevSerialNumber,
docsDevSTPControl
}
STATUS current
DESCRIPTION

```
        "A collection of objects providing device status and
        control."
 ::= { docsDevGroups 1 }
```

docsDevNmAccessGroup OBJECT-GROUP

```
    OBJECTS {
        docsDevNmAccessIp,
        docsDevNmAccessIpMask,
        docsDevNmAccessCommunity,
        docsDevNmAccessControl,
        docsDevNmAccessInterfaces,
        docsDevNmAccessStatus
    }
    STATUS          current
    DESCRIPTION
        "A collection of objects for controlling access to SNMP
        objects."
 ::= { docsDevGroups 2 }
```

docsDevSoftwareGroup OBJECT-GROUP

```
    OBJECTS {
        docsDevSwServer,
        docsDevSwFilename,
        docsDevSwAdminStatus,
        docsDevSwOperStatus,
        docsDevSwCurrentVers
    }
    STATUS          current
    DESCRIPTION
        "A collection of objects for controlling software
        downloads."
 ::= { docsDevGroups 3 }
```

docsDevServerGroup OBJECT-GROUP

```
    OBJECTS {
        docsDevServerBootState,
```

St. Johns Standards [Page
48]

RFC 2669 DOCSIS Cable Device MIB August
1999

```
        docsDevServerDhcp,
        docsDevServerTime,
        docsDevServerTftp,
        docsDevServerConfigFile
    }
    STATUS          current
    DESCRIPTION
        "A collection of objects providing status about server
        provisioning."
 ::= { docsDevGroups 4 }
```

docsDevEventGroup OBJECT-GROUP

```
    OBJECTS {
        docsDevEvControl,
        docsDevEvSyslog,
```

```

docsDevEvThrottleAdminStatus,
docsDevEvThrottleInhibited,
docsDevEvThrottleThreshold,
docsDevEvThrottleInterval,
docsDevEvReporting,
docsDevEvFirstTime,
docsDevEvLastTime,
docsDevEvCounts,
docsDevEvLevel,
docsDevEvId,
docsDevEvText
}
STATUS          current
DESCRIPTION
    "A collection of objects used to control and monitor
    events."
 ::= { docsDevGroups 5 }

```

```

docsDevFilterGroup OBJECT-GROUP
OBJECTS {
docsDevFilterLLCUnmatchedAction,
docsDevFilterIpDefault,
docsDevFilterLLCStatus,
docsDevFilterLLCIfIndex,
docsDevFilterLLCProtocolType,
docsDevFilterLLCProtocol,
docsDevFilterLLCMatches,
docsDevFilterIpControl,
docsDevFilterIpIfIndex,
docsDevFilterIpStatus,
docsDevFilterIpDirection,
docsDevFilterIpBroadcast,
docsDevFilterIpSaddr,

```

St. Johns
49]

Standards

[Page

RFC 2669
1999

DOCSIS Cable Device MIB

August

```

docsDevFilterIpSmask,
docsDevFilterIpDaddr,
docsDevFilterIpDmask,
docsDevFilterIpProtocol,
docsDevFilterIpSourcePortLow,
docsDevFilterIpSourcePortHigh,
docsDevFilterIpDestPortLow,
docsDevFilterIpDestPortHigh,
docsDevFilterIpMatches,
docsDevFilterIpTos,
docsDevFilterIpTosMask,
docsDevFilterIpContinue,
docsDevFilterIpPolicyId,
docsDevFilterPolicyId,
docsDevFilterPolicyStatus,
docsDevFilterPolicyPtr,
docsDevFilterTosStatus,
docsDevFilterTosAndMask,

```

```

        docsDevFilterTosOrMask
    }
    STATUS          current
    DESCRIPTION
        "A collection of objects to specify filters at link layer
        and IP layer."
    ::= { docsDevGroups 6 }

docsDevCpeGroup OBJECT-GROUP
    OBJECTS {
        docsDevCpeEnroll,
        docsDevCpeIpMax,
        docsDevCpeSource,
        docsDevCpeStatus
    }
    STATUS          current
    DESCRIPTION
        "A collection of objects used to control the number
        and specific values of IP addresses allowed for
        associated Customer Premises Equipment (CPE)."
    ::= { docsDevGroups 7 }

END

```

St. Johns	Standards	[Page
50]		
RFC 2669	DOCSIS Cable Device MIB	August
1999		

5. Acknowledgments

This document was produced by the IPCDN Working Group. It is based on a document written by Pam Anderson from CableLabs, Wilson Sawyer from BayNetworks, and Rich Woundy from Continental Cablevision. The original working group editor, Guenter Roeck of cisco Systems, did much of the grunt work of putting the document into its current form.

Special thanks is also due to Azlina Palmer, who helped a lot reviewing the document.

6. References

[1] Harrington, D., Presuhn, R. and B. Wijnen, "An Architecture for Describing SNMP Management Frameworks", RFC 2571, April 1999.

- [2] Rose, M. and K. McCloghrie, "Structure and Identification of Management Information for TCP/IP-based Internets", STD 16, RFC 1155, May 1990.
- [3] Rose, M. and K. McCloghrie, "Concise MIB Definitions", STD 16, RFC 1212, March 1991.
- [4] Rose, M., "A Convention for Defining Traps for use with the SNMP", RFC 1215, March 1991.
- [5] McCloghrie, K., Perkins, D. and J. Schoenwaelder, "Structure of Management Information for Version 2 (SMIV2)", STD 58, RFC 2578, April 1999.
- [6] McCloghrie, K., Perkins, D. and J. Schoenwaelder, "Textual Conventions for SMIV2", STD 58, RFC 2579, April 1999.
- [7] McCloghrie, K., Perkins, D. and J. Schoenwaelder, "Conformance Statements for SMIV2", STD 58, RFC 2580, April 1999.
- [8] Case, J., Fedor, M., Schoffstall, M. and J. Davin, "Simple Network Management Protocol", STD 15, RFC 1157, May 1990.
- [9] Case, J., McCloghrie, K., Rose, M. and S. Waldbusser, "Introduction to Community-based SNMPv2", RFC 1901, January 1996.
- [10] Case, J., McCloghrie, K., Rose, M. and S. Waldbusser, "Transport Mappings for Version 2 of the Simple Network Management Protocol (SNMPv2)", RFC 1906, January 1996.

St. Johns	Standards	[Page
51]		
RFC 2669	DOCSIS Cable Device MIB	August
1999		

- [11] Case, J., Harrington D., Presuhn R. and B. Wijnen, "Message Processing and Dispatching for the Simple Network Management Protocol (SNMP)", RFC 2572, April 1999.
- [12] Blumenthal, U. and B. Wijnen, "User-based Security Model (USM) for version 3 of the Simple Network Management Protocol (SNMPv3)", RFC 2574, April 1999.
- [13] Case, J., McCloghrie, K., Rose, M. and S. Waldbusser, "Protocol Operations for Version 2 of the Simple Network Management

Protocol (SNMPv2)", RFC 1905, January 1996.

- [14] Levi, D., Meyer, P. and B. Stewart, "SNMP Applications", RFC 2573, April 1999.
- [15] Wijnen, B., Presuhn, R. and K. McCloghrie, "View-based Access Control Model (VACM) for the Simple Network Management Protocol (SNMP)", RFC 2575, April 1999.
- [16] "Data-Over-Cable Service Interface Specifications: Cable Modem Radio Frequency Interface Specification SP-RFI-I04-980724", DOCSIS, July 1998, <http://www.cablemodem.com/public/pubtechspec/SP-RFI-I04-980724.pdf>.
- [17] Steinberg, L., "Techniques for Managing Asynchronously Generated Alerts", RFC 1224, May 1991.
- [18] "Data-Over-Cable Service Interface Specifications: Operations Support System Interface Specification RF Interface SP-OSSI-RF-I02-980410", DOCSIS, April 1998, <http://www.cablemodem.com/public/pubtechspec/ossi/sp-ossi.PDF>.
- [19] Bradner, S., "Key words for use in RFCs to Indicate Requirement Levels", BCP 14, RFC 2119, March 1997.
- [20] "Data-Over-Cable Service Interface Specifications: Baseline Privacy Interface Specification SP-BPI-I01-970922", DOCSIS, September 1977, <http://www.cablemodem.com/public/pubtechspec/ss/SP-BPI-I01-970922.pdf>

7. Security Considerations

This MIB relates to a system which will provide metropolitan public internet access. As such, improper manipulation of the objects represented by this MIB may result in denial of service to a large number of end-users. In addition, manipulation of the

St. Johns 52]	Standards	[Page
RFC 2669 1999	DOCSIS Cable Device MIB	August

docsDevNmAccessTable, docsDevFilterLLCTable, docsDevFilterIpTable and the elements of the docsDevCpe group may allow an end-user to increase their service levels, spoof their IP addresses, change the

permitted management stations, or affect other end-users in either a positive or negative manner.

There are a number of management objects defined in this MIB that have a MAX-ACCESS clause of read-write and/or read-create. Such objects may be considered sensitive or vulnerable in some network environments. The support for SET operations in a non-secure environment without proper protection can have a negative effect on network operations. In addition to those mentioned above:

- o The use of docsDevNmAccessTable to specify management stations is considered to be only limited protection and does not protect against attacks which spoof the management station's IP address. The use of stronger mechanisms such as SNMPv3 security should be considered where possible. Specifically, SNMPv3 VACM and USM MUST be used with any v3 agent which implements this MIB. Administrators may also wish to consider whether even read access to docsDevNmAccessTable may be undesirable under certain circumstances.
- o The CM may have its software changed by the actions of the management system. An improper software load may result in substantial vulnerabilities and the loss of the ability of the management system to control the cable modem.
- o The device may be reset by setting docsDevResetNow = true(1). This causes the device to reload its configuration files as well as eliminating all previous non-persistent network management settings. As such, this may provide a vector for attacking the system.
- o Setting docsDevEvThrottleAdminStatus = unconstrained(1) (which is also the DEFVAL) may cause flooding of traps, which can disrupt network service.

This MIB does not affect confidentiality of services on a cable modem system. [20] specifies the implementation of the DOCSIS Baseline privacy mechanism. The working group expects to issue a MIB for the management of this mechanism at a later time.

SNMPv1 by itself is not a secure environment. Even if the network itself is secure (for example by using IPSec), even then, there is no control as to who on the secure network is allowed to access and GET/SET (read/change/create/delete) the objects in this MIB.

It is recommended that the implementers consider the security features as provided by the SNMPv3 framework. Specifically, the use of the User-based Security Model [12] and the View-based Access Control Model [15] is recommended.

It is then a customer/user responsibility to ensure that the SNMP entity giving access to an instance of this MIB, is properly configured to give access to the objects only to those principals (users) that have legitimate rights to indeed GET or SET (change/create/delete) them.

8. Intellectual Property

The IETF takes no position regarding the validity or scope of any intellectual property or other rights that might be claimed to pertain to the implementation or use of the technology described in this document or the extent to which any license under such rights might or might not be available; neither does it represent that it has made any effort to identify any such rights. Information on the IETF's procedures with respect to rights in standards-track and standards-related documentation can be found in BCP-11. Copies of claims of rights made available for publication and any assurances of licenses to be made available, or the result of an attempt made to obtain a general license or permission for the use of such proprietary rights by implementors or users of this specification can be obtained from the IETF Secretariat.

The IETF invites any interested party to bring to its attention any copyrights, patents or patent applications, or other proprietary rights which may cover technology that may be required to practice this standard. Please address the information to the IETF Executive Director.

9. Author's Address

Michael StJohns
@Home Network
425 Broadway
Redwood City, CA 94063
U.S.A

Phone: +1 650 569 5368
EMail: stjohns@corp.home.net

10. Full Copyright Statement

Copyright (C) The Internet Society (1999). All Rights Reserved.

This document and translations of it may be copied and furnished to others, and derivative works that comment on or otherwise explain it or assist in its implementation may be prepared, copied, published and distributed, in whole or in part, without restriction of any kind, provided that the above copyright notice and this paragraph are included on all such copies and derivative works. However, this document itself may not be modified in any way, such as by removing the copyright notice or references to the Internet Society or other Internet organizations, except as needed for the purpose of developing Internet standards in which case the procedures for copyrights defined in the Internet Standards process must be followed, or as required to translate it into languages other than English.

The limited permissions granted above are perpetual and will not be revoked by the Internet Society or its successors or assigns.

This document and the information contained herein is provided on an

"AS IS" basis and THE INTERNET SOCIETY AND THE INTERNET ENGINEERING

TASK FORCE DISCLAIMS ALL WARRANTIES, EXPRESS OR IMPLIED, INCLUDING BUT NOT LIMITED TO ANY WARRANTY THAT THE USE OF THE INFORMATION HEREIN WILL NOT INFRINGE ANY RIGHTS OR ANY IMPLIED WARRANTIES OF MERCHANTABILITY OR FITNESS FOR A PARTICULAR PURPOSE.

Acknowledgement

Funding for the RFC Editor function is currently provided by the Internet Society.

St. Johns
55]

Standards

[Page