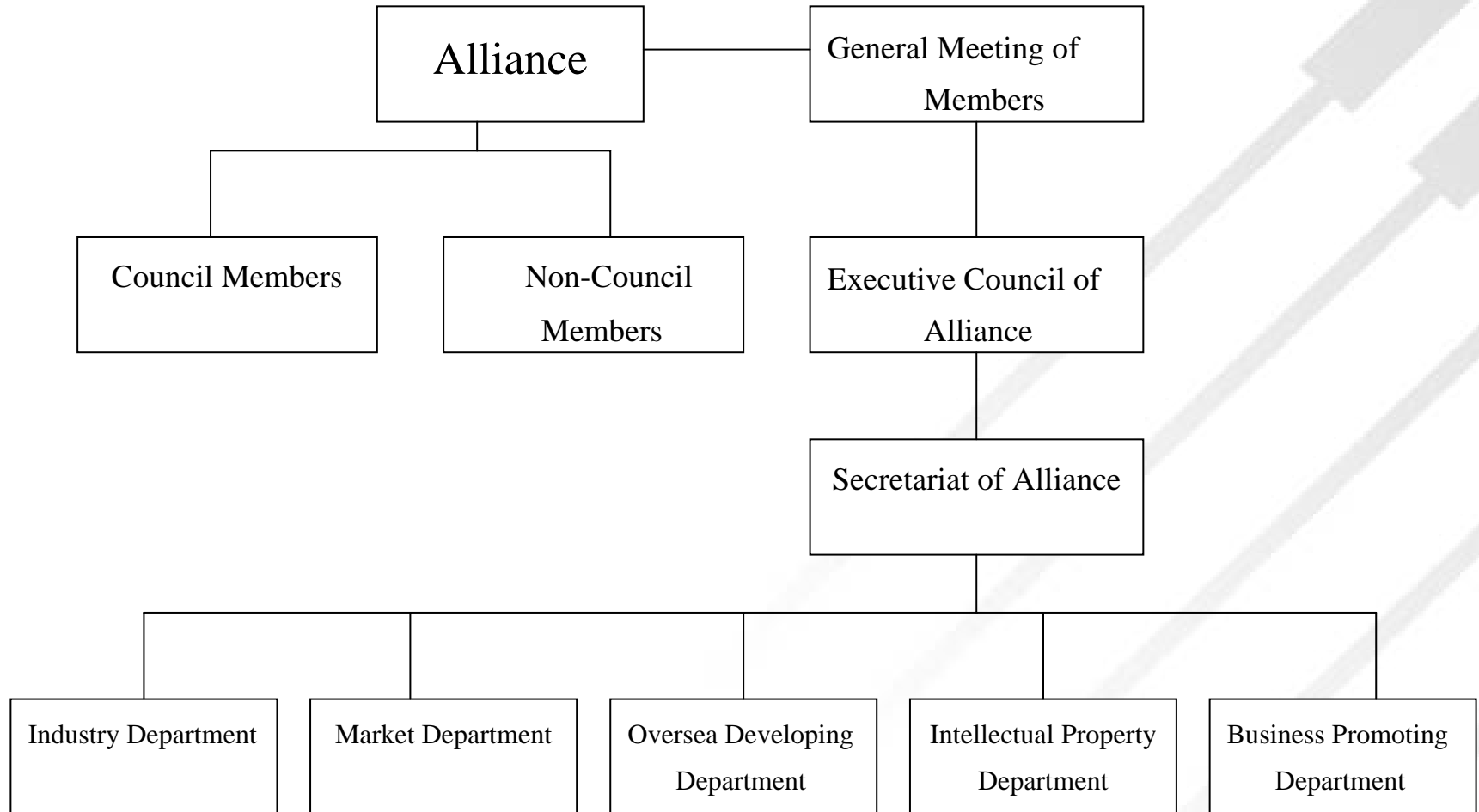


# **Intellectual Property Work of TD-SCDMA Industry Alliance**

**Oct.31 2007 Beijing**



## **Council Members:**

**Institute of Telecom Science and Technology**

**Holley Communication Group Ltd.**

**Huawei Technology Ltd.**

**Lenovo ( Beijing ) Ltd.**

**ZTE Communication Inc.**

**China Electronics Corporation (CEC)**

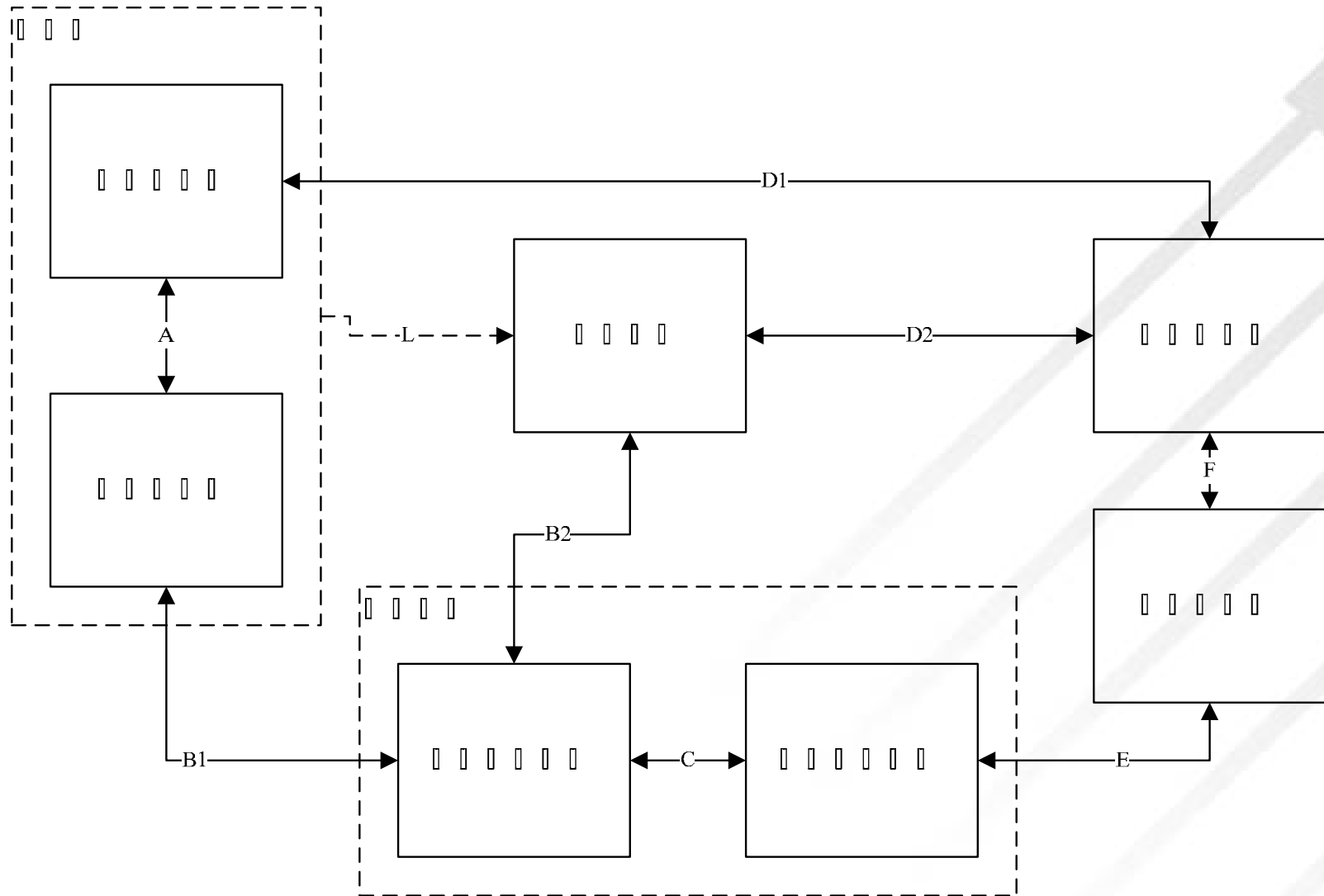
**China Potevio Information Industry Corporation**

## **Non-Council Members :**

**Spreadtrum Communication Inc., T3G, Chongyou Information Technology Ltd., Hisense Communication, Shanghai Commit, Xi'an Haitian Information Engineering, AMOI Electronic, UT Star Com, Hubei Zhongyou, Ying Huada, DBTEL, Shanghai Alcatel-Sbell, Zhongshan Tongyu, Zhong Chuang Xin Ce, New Post Com, HAIER, KETAI, TCL, Wuyou, Andrew, Comba International, Comlent, Aceway, Yulong, No.14 Institution, No.41 institution, MOBI, CFC Network, China Bird, Yiyang Communication, RDA, SIM, Long Cheer, Rising Technology, Fujian Post Technology, Flextronics ( China ), Shenzhen Guo Ren, Guangzhou Rising Micro Electronics, Wuhan Fingu, BenQ ( Shanghai ), Guangzhou Jin Peng, etc.**

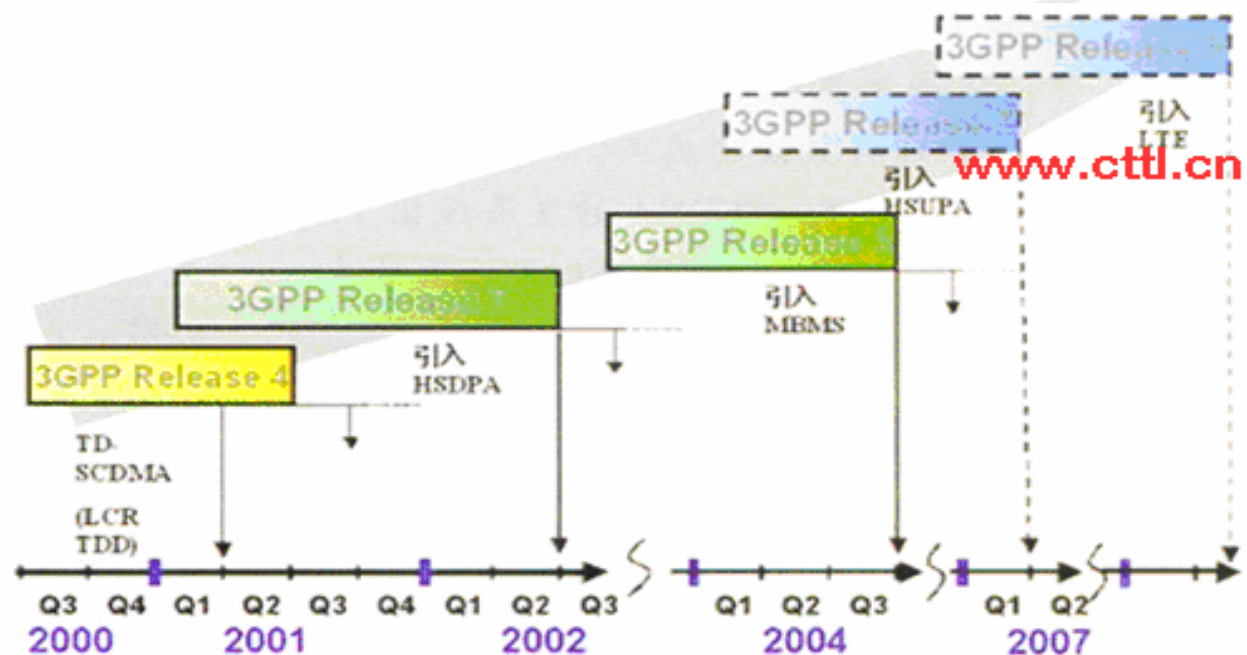
Pursuant to the “Articles of Association”, the Alliance’s business scope includes “coordinating the patent license of technology between members as well as with companies outside the association enhancing the competitiveness of members.”

# The Structure of Alliance's IP Procedure



1. The Patent License Agreement of TD-SCDMA Industry Alliance applicable to its founder-members
2. The Addenda I to the Patent License Agreement of TD-SCDMA Industry Alliance (applicable to its council members and their associated parties)
3. The Provisional Rules on the Cross-License of Patent between Council Members and Non-Council (Interim)
4. The Rules on Patent Disclosure
5. The Rules on Patent Assessment

1. The basic and related patents of TD-SCDMA are mainly held and controlled by members of the Alliance.





- 2. The TD-SCDMA Industry Alliance welcomes any corporation outside including foreign companies to consult and negotiate with the Alliance on the TD-SCDMA patent license;**
- 3. So far no corporations outside including foreign companies has consulted and negotiated with the Alliance on the TD-SCDMA patent license.**
- 4. The Alliance would like to cooperate with other organizations and enterprises on standards and IP issues arising in the evolution of 3G technology on the basis of equality and mutual benefit.**

# Thank You